

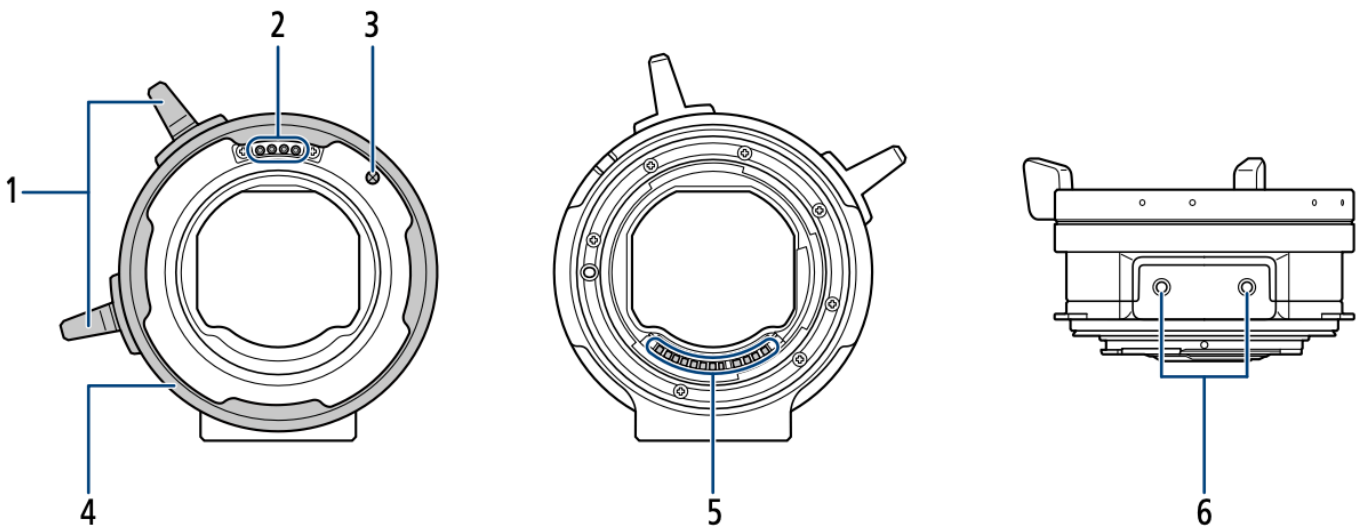
PL-RF Mount Adapter

This mount adapter allows you to replace the camera's RF lens mount with a PL mount. After attaching the adapter, you can use PL lenses compatible with Cooke's /i Technology communication standard.

Supplied Accessories

- Lens Dust Cap RF
- Body Cap (PL)
- Lock Plates (x2)
- Hex Wrench

Names of Parts



- 1 PL mount handles
- 2 PL lens contacts
- 3 PL lens index pin

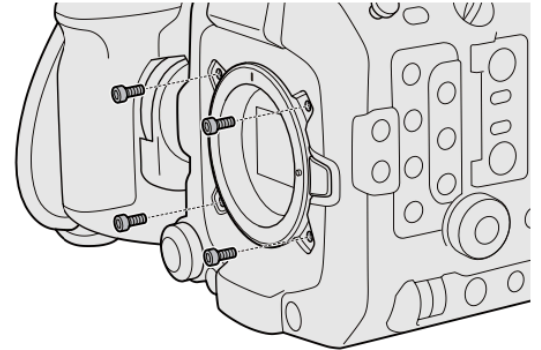
- 4 PL mount ring
- 5 RF lens mount contacts
- 6 Screw holes for M3 bolts (3.3 mm (0.13 in.) deep, x2)

Attaching/Removing the Mount Adapter

The following procedure explains how to attach/remove the mount adapter. As much as possible, perform this procedure in a clean environment free of dust and without an attached lens.

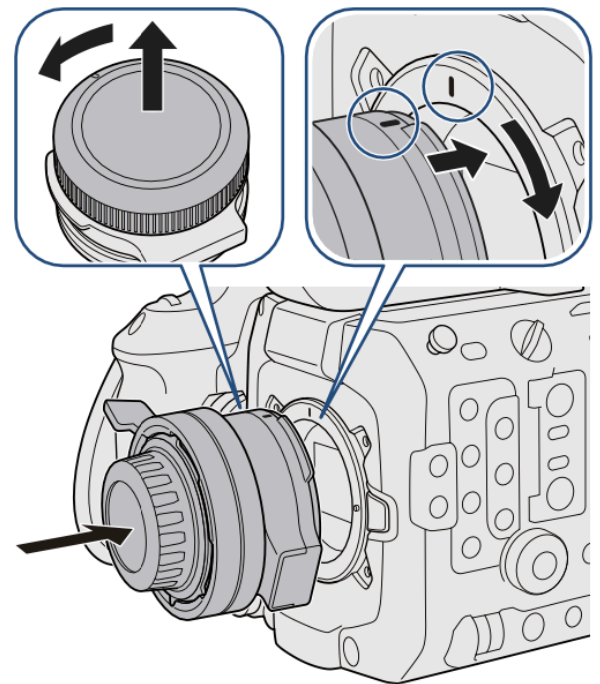
■ Attaching the Adapter

1. Turn off the camera.
2. Remove the screws on the camera.



3. Attach the adapter.

- Remove the rear cap (lens dust cap RF).
- Align the RF lens index mark with the adapter index mark and turn the adapter clockwise until it clicks.



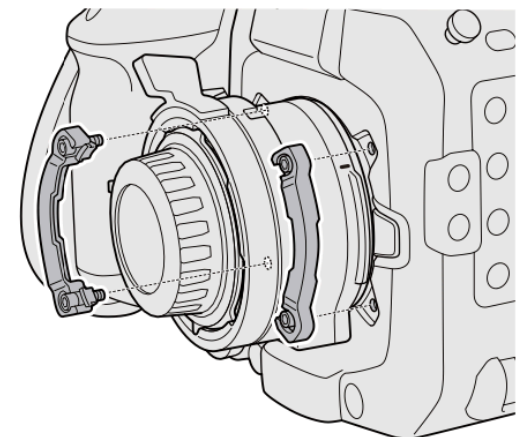
4. Attach the lock plates.

- Use the included hex wrench to securely and evenly attach the two lock plates*.

* Maximum torque: 100 N·cm



- Applying a torque exceeding the maximum torque may damage the camera and lens mount.

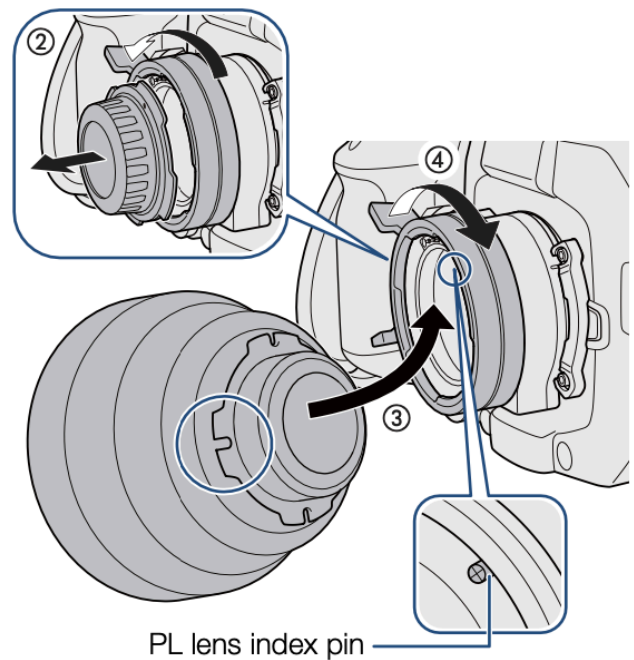


■ Removing the Adapter

1. Turn off the camera.
2. Remove the lock plates from the camera.
 - Remove the two lock plates using the supplied hex wrench.
3. Remove the adapter.
 - While pressing the lens release button on the camera, turn the adapter counterclockwise until it stops, then remove the adapter.
4. Attach the screws to the camera.

■ Attaching a PL Lens

1. Turn off the camera.
2. Turn the PL mount handles counter-clockwise to remove the body cap (PL) from the lens mount and remove any dust caps from the lens.
3. Align a groove on the lens with the PL lens index pin on the mount and insert the lens into the lens mount.
4. Turn the PL mount handles clockwise to fix the lens in place.



PL lens index pin

Specifications

Dimensions* (diameter x length)	Ø 108 x 52 mm (Ø 4.3 x 2.0 in.)
Weight*	Adapter only: 275 g (9.7 oz.) Including lock plates (x2): 305 g (10.8 oz.)

* All dimensions and weights are approximate.