

Nikon

Remote Grip

MC-N10

Reference Guide

- Read this document thoroughly before using the product.
- To ensure proper use of the product, be sure to read "For Your Safety" (page 5).
- After reading this document, keep it readily accessible for future reference.

Table of Contents

Introduction	3
What the MC-N10 Can Do for You.....	3
For Your Safety.....	5
Parts of the MC-N10.....	8
Using the MC-N10	10
Readying the MC-N10.....	10
Shooting with the MC-N10.....	13
Precautions for Use.....	16
Reattaching the Battery Chamber Cover.....	17
Technical Notes	18
Specifications.....	18
Notices.....	19

Introduction

What the MC-N10 Can Do for You

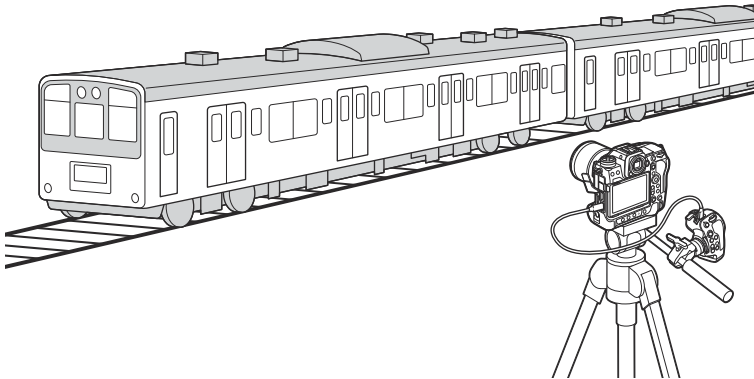
When connected to the camera, the MC-N10 can be used for such tasks as video recording, photography, and adjusting camera settings.

It comes equipped with a rosette for attachment to third-party camera equipment. With the MC-N10 mounted on camera equipment via an ARRI-compatible rosette adapter, you can keep moving subjects in focus while panning the camera to track their motion, or use its conveniently-placed controls to adjust settings such as exposure and white balance without touching the camera.

Some Examples of When to Use the MC-N10

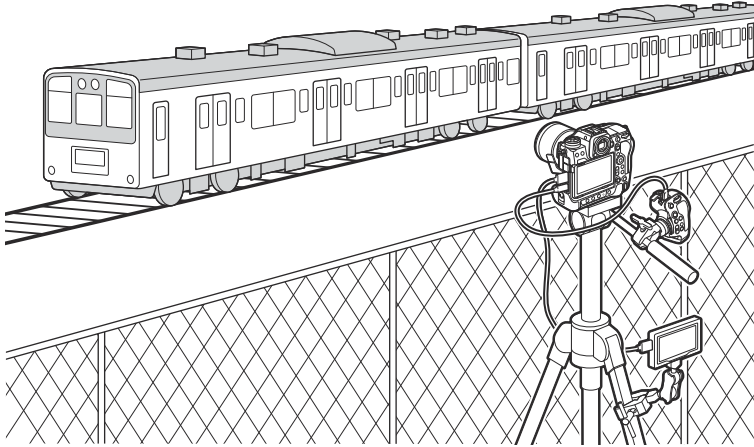
- **Recording and Photographing Moving Subjects**

Attaching the MC-N10 to a tripod pan handle lets you record videos, take photographs, or adjust camera settings using conveniently-placed controls while panning the camera to track people, cars, and other moving subjects.



- **Remote High-Angle Video Recording and Photography**


The MC-N10 can be used for remote video recording or photography while the camera is mounted on a tall tripod or otherwise out of reach. You can even connect the camera to an external monitor via HDMI so that you can see the view through the lens on a conveniently-placed display while recording video or taking pictures remotely.





For Your Safety

To prevent damage to property or injury to yourself or to others, read "For Your Safety" in its entirety before using this product.

After reading these safety instructions, keep them readily accessible for future reference.

 **DANGER:** Failure to observe the precautions marked with this icon carries a high risk of death or severe injury.

 **WARNING:** Failure to observe the precautions marked with this icon could result in death or severe injury.

 **CAUTION:** Failure to observe the precautions marked with this icon could result in injury or property damage.

WARNING

Do not use while walking or operating a vehicle.

Failure to observe this precaution could result in accidents or other injury.

Do not disassemble or modify this product. Do not touch internal parts that become exposed as the result of a fall or other accident.

Failure to observe these precautions could result in electric shock or other injury.

Should you notice any abnormalities such as the product producing smoke, heat, or unusual odors, immediately disconnect the batteries.

Continued operation could result in fire, burns or other injury.

Keep dry. Do not handle with wet hands.

Failure to observe these precautions could result in fire or electric shock.

Do not use this product in the presence of flammable dust or gas such as propane, gasoline or aerosols.

Failure to observe this precaution could result in explosion or fire.

Keep this product out of reach of children.

Failure to observe this precaution could result in injury or product malfunction. In addition, note that small parts constitute a choking hazard. Should a child swallow any part of this product, seek immediate medical attention.

WARNING

Do not handle with bare hands in locations exposed to extremely high or low temperatures.

Failure to observe this precaution could result in burns or frostbite.

Do not use batteries not specifically designated for use with this product.

Failure to observe this precaution could result in fire or electric shock.

CAUTION

Remove the batteries if this product will not be used for an extended period.

Failure to observe this precaution could result in fire or product malfunction.

Do not leave the product where it will be exposed to extremely high temperatures, for an extended period such as in an enclosed automobile or in direct sunlight.

Failure to observe this precaution could result in fire or product malfunction.

DANGER (Batteries)

Do not mishandle batteries.

Failure to observe the following precautions could result in the batteries leaking, overheating, rupturing, or catching fire:

- Do not attempt to recharge non-rechargeable batteries.
- Do not expose batteries to flame or excessive heat.
- Do not disassemble.
- Do not short-circuit the terminals by touching them to necklaces, hairpins, or other metal objects.
- Do not expose batteries or the products in which they are inserted to powerful physical shocks.

If battery liquid comes into contact with the eyes, rinse with plenty of clean water and seek immediate medical attention.

Delaying action could result in eye injuries.

Follow the instructions of airline personnel.

Batteries left unattended at high altitudes in an unpressurized environment may leak, overheat, rupture, or catch fire.

WARNING (Batteries)

Do not remove or damage the battery casing. Never use batteries with damaged casing.

Failure to observe this precaution could result in the batteries leaking, overheating, rupturing, or catching fire.

Keep batteries out of reach of children.

Should a child swallow a battery, seek immediate medical attention.

Do not immerse batteries in water or expose to rain.

Failure to observe this precaution could result in fire or product malfunction. Immediately dry the product with a towel or similar object should it become wet.

Discontinue use immediately should you notice any changes in the batteries, such as discoloration or deformation.

Failure to observe this precaution could result in the batteries leaking, overheating, rupturing, or catching fire.

Insert batteries in the correct orientation. Do not mix old and new batteries or batteries of different types.

Failure to observe this precaution could result in the batteries leaking, overheating, rupturing, or catching fire.

When batteries are no longer needed, insulate the terminals with tape.

Overheating, rupture, or fire may result should metal objects come into contact with the terminals.

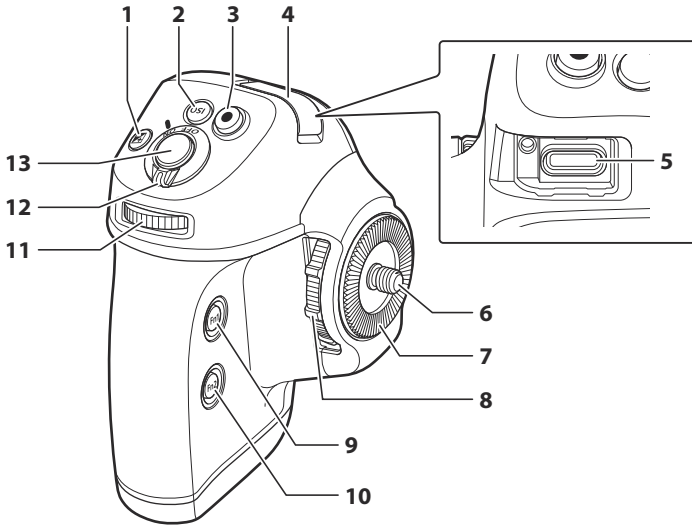
If battery liquid comes into contact with a person's skin or clothing, immediately rinse the affected area with plenty of clean water.

Failure to observe this precaution could result in skin irritation.

Parts of the MC-N10

The parts of the product are identified below.

- Performs the function to the matching control on the camera.



1 Exposure compensation button (📖)

2 ISO sensitivity button (ISO)

3 Video-record button

4 USB connector cover (📖 11)

5 USB connector (📖 11)

6 Rosette adapter attachment screw (M6)
(📖 11)

7 Rosette (📖 11)

The attachment point for ARRI-compatible rosette adapters.

8 Rosette adapter attachment wheel
(📖 11)

Turns the rosette adapter attachment screw.

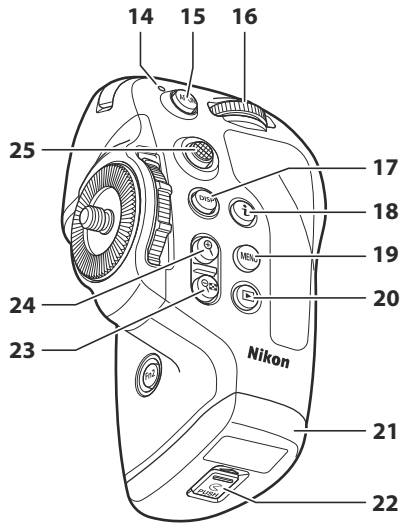
9 Fn1 button

10 Fn2 button

11 Sub-command dial

12 Power switch (📖 13)

13 Shutter-release button (📖 13)



14 Status lamp (📖 15)

15 AF-ON button

16 Main command dial

17 DISP button

18 *i* button

19 MENU button

20 Playback button (▶)

21 Battery chamber cover (📖 10)

22 Battery chamber cover latch release

(📖 10)

23 Playback zoom out/thumbnail display button (🔍)

24 Playback zoom in button (🔍)

25 Multi selector

Pressing the center has the same effect as pressing the camera Ⓜ button.

Using the MC-N10

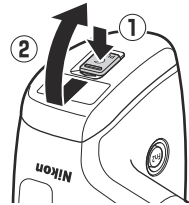
Readying the MC-N10

Inserting Batteries in the MC-N10

Insert two third-party AA batteries.

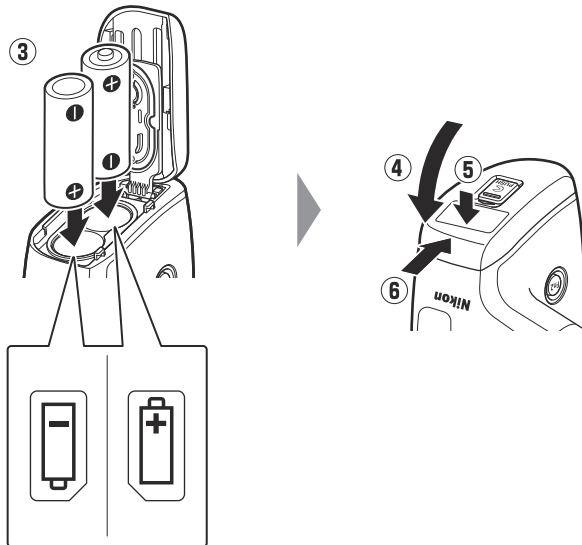
- Use batteries of the same make and model.

- 1** Keeping the battery chamber cover latch release pressed (①), slide and open the battery chamber cover as shown (②).



- 2** Insert the batteries in the orientations shown (③) and close the battery chamber cover.

- Slide the cover closed while pressing firmly on ⑤.



Connecting the MC-N10 to the Camera

Turn the camera off before connecting the MC-N10 via USB.

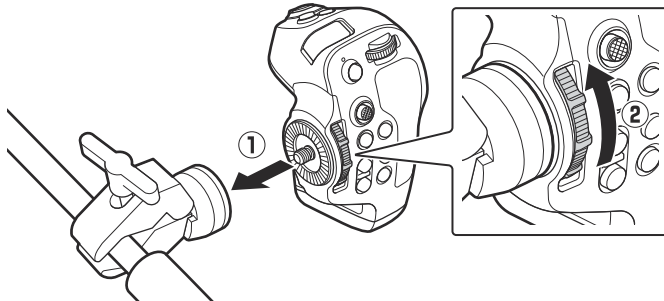
Be sure always to use the latest version of the camera firmware. The latest version of the camera firmware can be downloaded from the [Nikon Download Center](#).

1 Mount the camera on a piece of third-party camera equipment to which an ARRI-compatible rosette adapter has been attached.

- You will need to attach a third-party rosette adapter before using equipment not provided with an adapter of its own.
- For more information, see the documentation provided with the equipment in question.

2 Attach the MC-N10 to the rosette adapter.

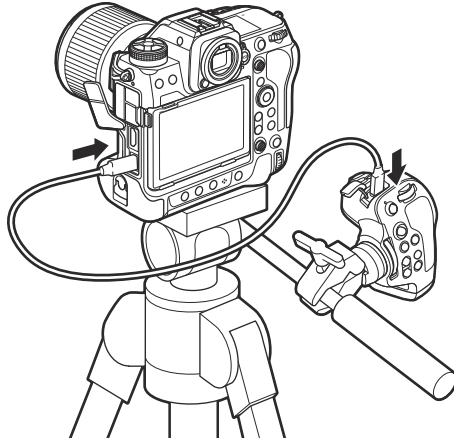
- Align the MC-N10's rosette adapter attachment screw with the threaded socket on the equipment's rosette adapter (①) and rotate the rosette adapter attachment wheel in the direction shown to fix the MC-N10 in place (②).



- Do not attempt to insert the MC-N10's rosette adapter attachment screw into the tripod socket on the camera body. Attempting to force the screw into the tripod socket could damage the camera or MC-N10.

3 Connect the MC-N10 to the camera using the MC-N10's supplied USB cable.

- If your camera is equipped with both USB data and USB Power Delivery connectors, connect the cable to the USB data connector.



✓ Restrictions on Camera Functions When Connected to a MC-N10

- Preset manual white balance cannot be measured.
- Wireless LAN, Ethernet, and Bluetooth connections are not available. Menus that use wireless LAN, Ethernet, or Bluetooth to connect to other devices, for example, **[Connect to computer]** and **[Connect to smart device]**, cannot be selected.
- Menus for USB power delivery (cameras with a USB Power Delivery connector excluded), resetting all camera settings, and firmware update cannot be selected.

✓ USB Connection Settings

If your camera has one of the following menus, set it to **[MTP/PTP]**.

- **[USB]** in the setup menu
 - **[USB]** in the network menu
 - **[USB data connection]** in the network menu
-

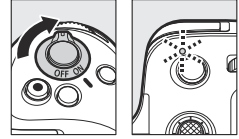
Shooting with the MC-N10

How to Shoot with the MC-N10


Follow the steps below to shoot using an MC-N10 connected to the camera via USB.

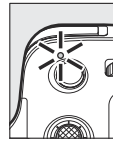
1 Turn the MC-N10 on.

- The MC-N10 status lamp will flash green.




2 Turn the camera on.


- If the camera displays a message regarding connection of a remote grip, press the camera  button or tap the camera monitor.
- The MC-N10 is ready for use when its status lamp stops flashing and lights green.



Powering Up While Connected

While connected to the MC-N10 via USB, the camera will display a message regarding connection of a remote grip each time the camera or MC-N10 is turned on. Press the camera  button or tap the camera monitor.

MC-N10 Not Responding?

The MC-N10 may stop responding if a camera control other than the  button or monitor is used while the message is displayed. Turn the camera or MC-N10 off and then on again.

3 Use the camera's photo/video selector to choose photo or video mode as appropriate.

- Adjust focus mode, custom controls, and other settings as required.

4 Press the shutter-release or video-record button on the MC-N10.

- In photo mode, the camera will focus when the shutter-release button on the MC-N10 is pressed halfway and take a picture when the button is pressed the rest of the way down.
- In video mode, the camera will start recording when the video-record button on the MC-N10 is pressed. Recording ends when the button is pressed a second time.

Tip: The Status Lamp

The status lamp shows device status as follows.

Status lamp	Connection status	Description
Green (steady)	Connected to camera.	The batteries have enough charge for normal operation.
Green (flashes slowly)	Not connected to camera.	
Red (steady)	Connected to camera.	The batteries are low. Charge or replace the batteries.
Red (flashes slowly)	Not connected to camera.	
Red (flashes)	Connected/not connected to camera.	The batteries are exhausted. Charge or replace the batteries.
Red (flashes quickly)	Connected/not connected to camera.	<p>Error. The status lamp will turn off after about 40 seconds if no action is taken. Try:</p> <ul style="list-style-type: none">• turning the MC-N10 and camera off and then on again,• disconnecting and reconnecting the USB cable,• waiting for the batteries to cool if they have overheated, or• replacing the batteries to address possible battery malfunction. <p>If the problem persists, consult a Nikon-authorized service representative.</p>

Precautions for Use

- **Caution: Handling the MC-N10**

To avoid dropping or damaging the camera or the camera equipment to which the MC-N10 is attached, support the device when carrying the MC-N10.

- **Batteries**

- If the product will not be used for a period of more than about two weeks, remove the batteries to prevent damage caused by leaking battery fluid.
- When replacing the batteries, turn the product off and insert the replacement batteries in the correct orientation.
- Batteries tend to lose capacity at low temperatures, recover lost voltage when allowed to rest, and slowly discharge when not in use. Be sure to check the battery level before use and replace the batteries before they are fully discharged.
- Do not store batteries in locations subject to high temperatures or high humidity.
- For information on handling and recharging rechargeable batteries, see the documentation provided by the manufacturers of the batteries and the battery charger.

Recycling Used Batteries



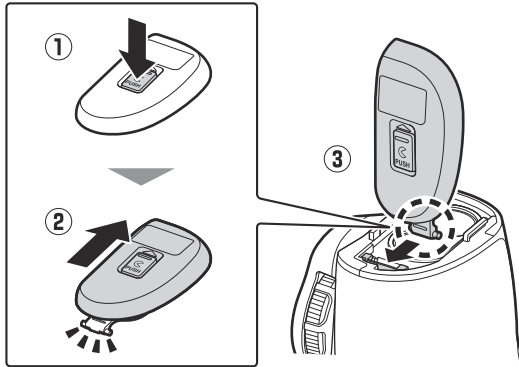
Ni-MH

Recycle rechargeable batteries in accord with local regulations, being sure to first insulate the terminals with tape.

Reattaching the Battery Chamber Cover

The battery chamber cover may detach to prevent damage if subject to excessive force while open. It can be reattached as shown in the illustration.

- Before reattaching the cover, orient it so that the hinge is visible.



Technical Notes

Specifications

Supported cameras *	Z series cameras other than Z 50 * Be sure to use the latest versions of the camera firmware. With earlier versions, the remote grip may not function.
Batteries	Two identical AA batteries of either of the following types: <ul style="list-style-type: none">• 1.5 V AA alkaline batteries• 1.2 V AA Ni-MH batteries
Battery endurance	12 hours of continuous use (varies with operating environment, conditions of use, and storage conditions)
USB	Type C USB connector
Operating environment	Temperature: -10 °C – 40 °C (14 °F – 104 °F) Humidity: 85% or less (no condensation)
Dimensions (W × H × D)	Approx. 65.5 × 115.5 × 73.5 mm/2.6 × 4.6 × 2.9 in. (excluding projections)
Weight	Approx. 260 g/9.2 oz (with two AA batteries) Approx. 205 g/7.3 oz (body only)
Supplied accessories	USB cable (Type C)

- Refer to the documentation provided with the camera or camera equipment for information on operating environments. Where the operating temperature range for this product differs from that for the camera, restrict the use of this product to whichever range is narrower.
- Nikon reserves the right to change the appearance, specifications, and performance of the product described in this document at any time and without prior notice. Nikon will not be held liable for damages that may result from any mistakes that this document may contain.

Notices

Notices for Customers in the U.S.A.

This device complies with part 15 of the FCC Rules. Operation is subject to the following two conditions: (1) this device may not cause harmful interference, and (2) this device must accept any interference received, including interference that may cause undesired operation.

Federal Communications Commission (FCC) Radio Frequency Interference Statement

Note: This equipment has been tested and found to comply with the limits for a Class B digital device, pursuant to part 15 of the FCC Rules. These limits are designed to provide reasonable protection against harmful interference in a residential installation. This equipment generates, uses and can radiate radio frequency energy and, if not installed and used in accordance with the instructions, may cause harmful interference to radio communications. However, there is no guarantee that interference will not occur in a particular installation. If this equipment does cause harmful interference to radio or television reception, which can be determined by turning the equipment off and on, the user is encouraged to try to correct the interference by one or more of the following measures:

- Reorient or relocate the receiving antenna.
- Increase the separation between the equipment and receiver.
- Connect the equipment into an outlet on a circuit different from that to which the receiver is connected.
- Consult the dealer or an experienced radio/TV technician for help.

CAUTIONS

• Modifications

The FCC requires the user to be notified that any changes or modifications made to this device that are not expressly approved by Nikon Corporation may void the user's authority to operate the equipment.

Nikon Inc., 1300 Walt Whitman Road, Melville, New York 11747-3064, U.S.A.
Tel.: 631-547-4200

Notice for Customers in Canada

CAN ICES-003 (B) / NMB-003 (B)

Notices for Customers in Europe

CAUTION: RISK OF EXPLOSION IF BATTERY IS REPLACED BY AN INCORRECT TYPE. DISPOSE OF USED BATTERIES ACCORDING TO THE INSTRUCTIONS.

This symbol indicates that electrical and electronic equipment is to be collected separately.



The following apply only to users in European countries:

- This product is designated for separate collection at an appropriate collection point. Do not dispose of as household waste.
- Separate collection and recycling helps conserve natural resources and prevent negative consequences for human health and the environment that might result from incorrect disposal.
- For more information, contact the retailer or the local authorities in charge of waste management.

No reproduction in any form of this document, in whole or in part (except for brief quotation in critical articles or reviews), may be made without written authorization from NIKON CORPORATION.