

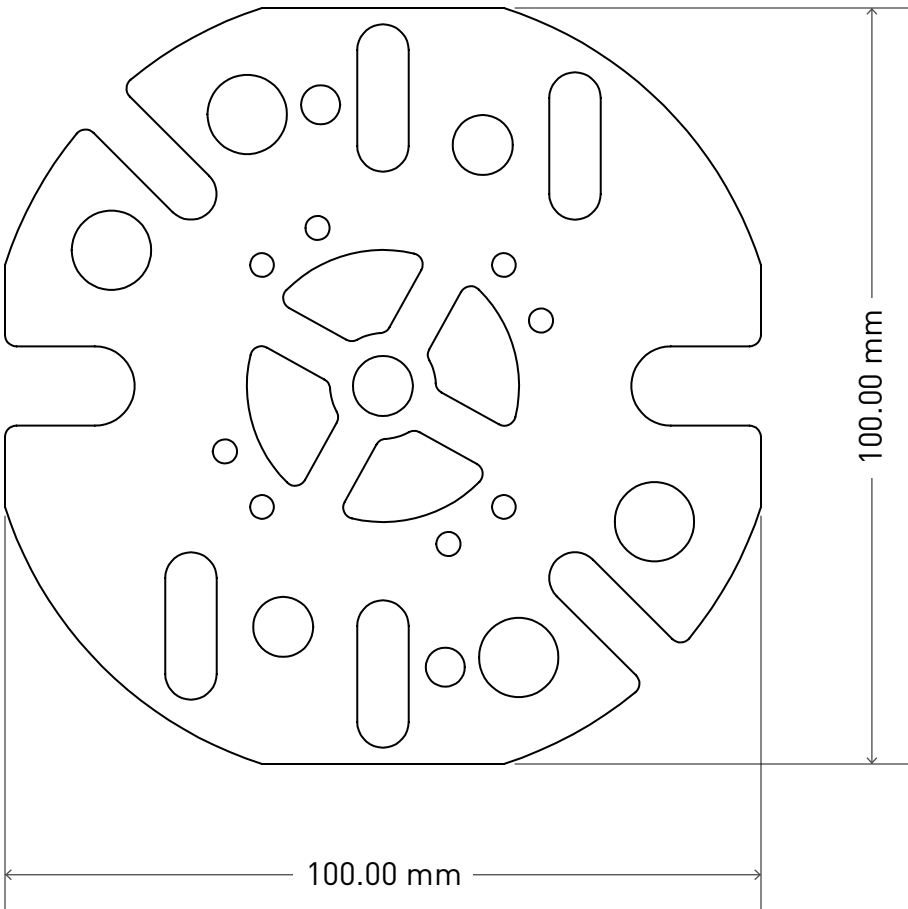
# NINJA STAR ADAPTER PLATE

INSTALLTION FIGURE



## OVERALL DIMENSIONS

1 of 7



Installation figure is to scale. If printing, do not change scale.

FREEFLY, NINJA STAR ADAPTER PLATE and the Wing Logo are trademarks of Freefly Systems Inc.

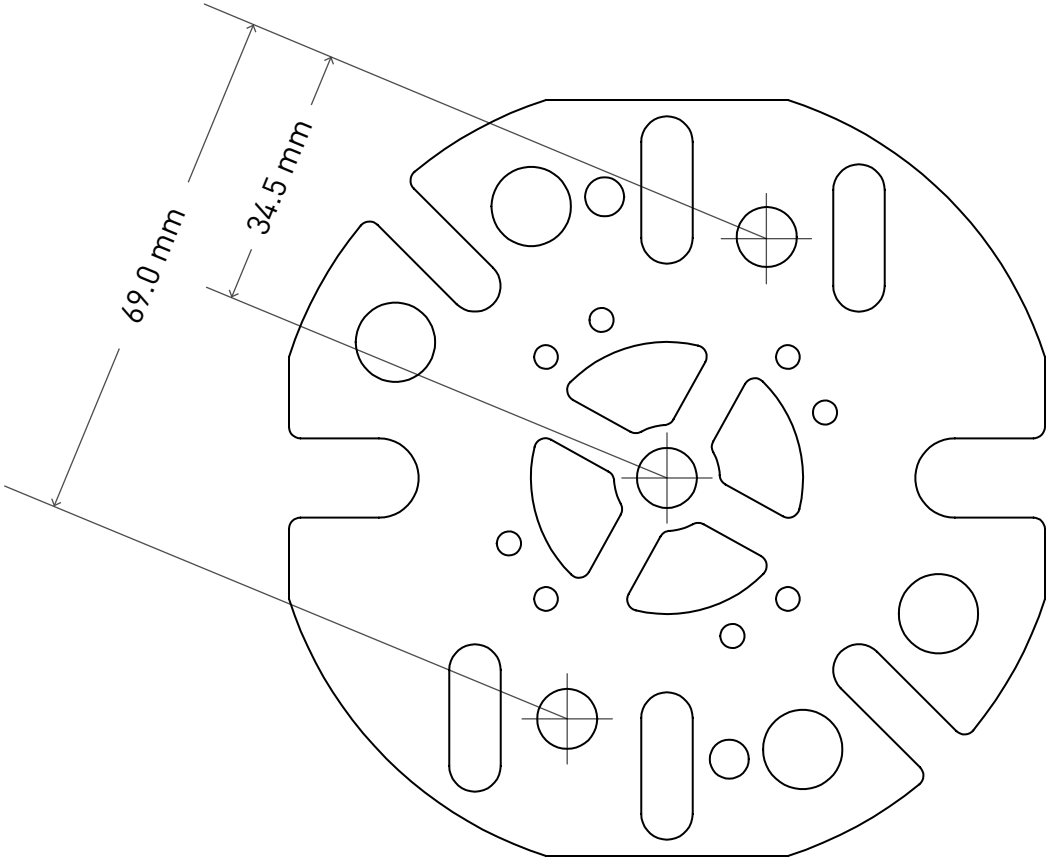
# NINJA STAR ADAPTER PLATE

INSTALLTION FIGURE



3/8" - 16 THREADED HOLES

2 of 7



Installation figure is to scale. If printing, do not change scale.

FREEFLY, NINJA STAR ADAPTER PLATE and the Wing Logo are trademarks of Freefly Systems Inc.

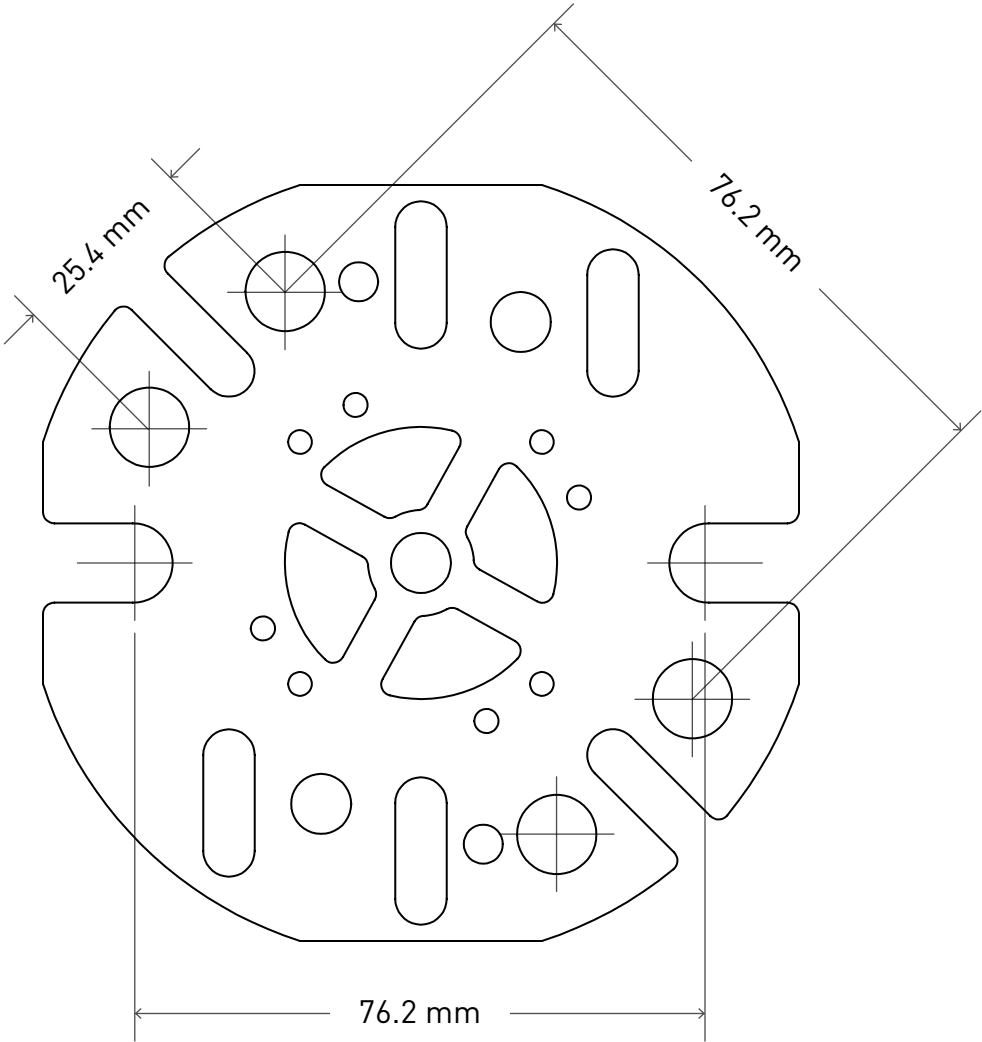
# NINJA STAR ADAPTER PLATE

## INSTALLTION FIGURE



### 3/8" HOLES & SLOTS

3 of 7



Installation figure is to scale. If printing, do not change scale.

FREEFLY, NINJA STAR ADAPTER PLATE and the Wing Logo are trademarks of Freefly Systems Inc.

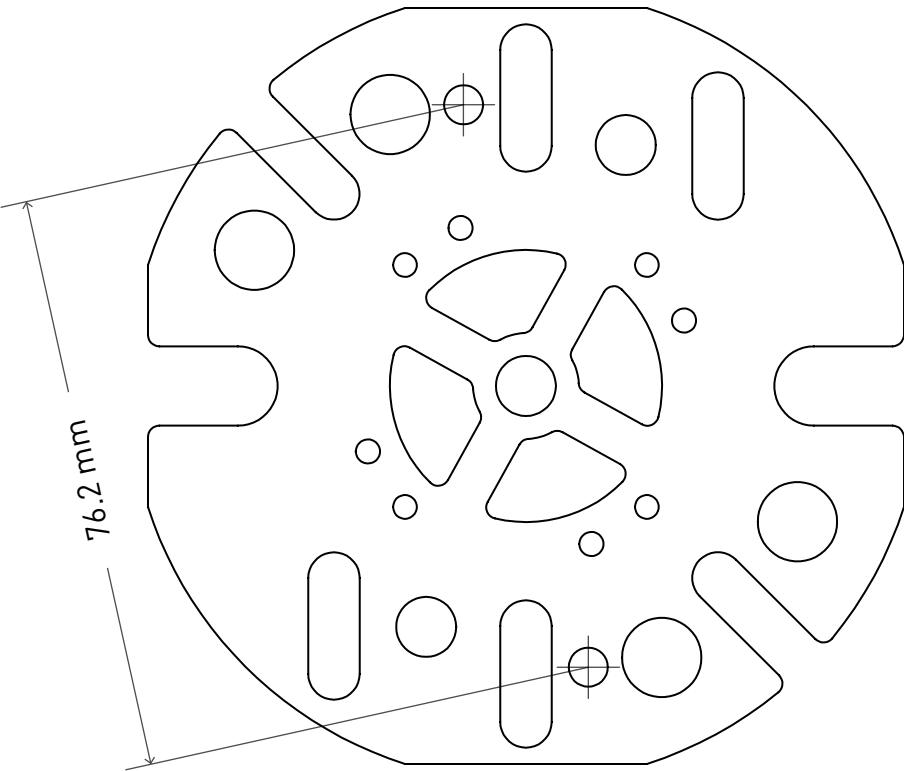
# NINJA STAR ADAPTER PLATE

INSTALLTION FIGURE



1/4" - 20 THREADED HOLES

4 of 7



Installation figure is to scale. If printing, do not change scale.

FREEFLY, NINJA STAR ADAPTER PLATE and the Wing Logo are trademarks of Freefly Systems Inc.

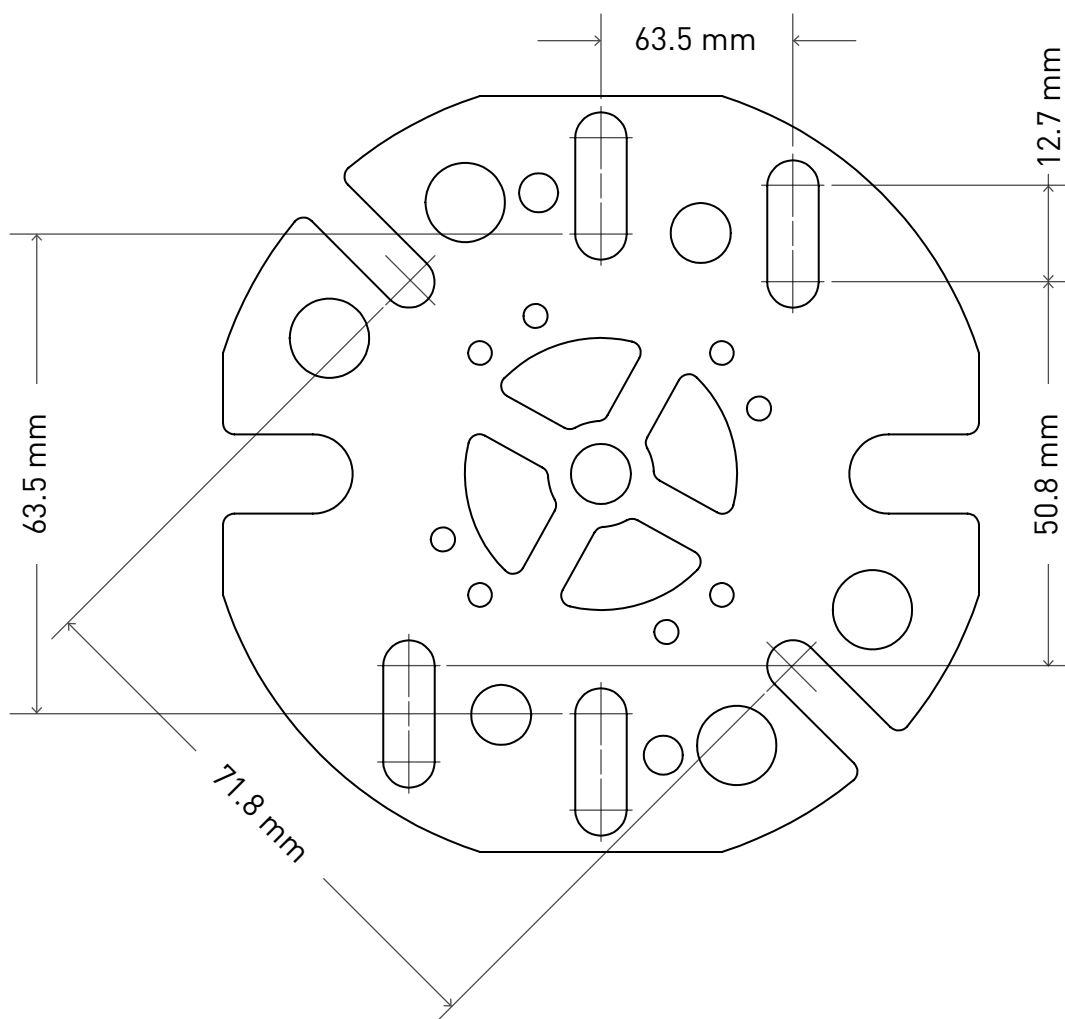
# NINJA STAR ADAPTER PLATE

## INSTALLTION FIGURE



### 1/4" HOLES & SLOTS

5 of 7



Installation figure is to scale. If printing, do not change scale.

FREEFLY, NINJA STAR ADAPTER PLATE and the Wing Logo are trademarks of Freefly Systems Inc.

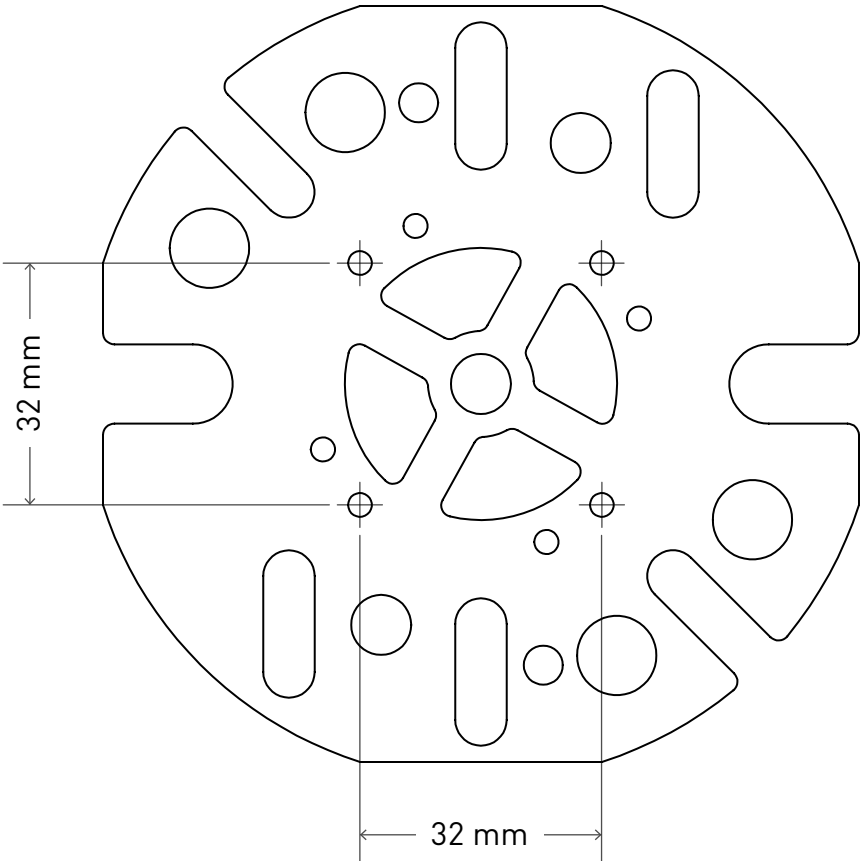
# NINJA STAR ADAPTER PLATE

## INSTALLTION FIGURE



### M3 THREADED HOLES

6 of 7



Installation figure is to scale. If printing, do not change scale.

FREEFLY, NINJA STAR ADAPTER PLATE and the Wing Logo are trademarks of Freefly Systems Inc.

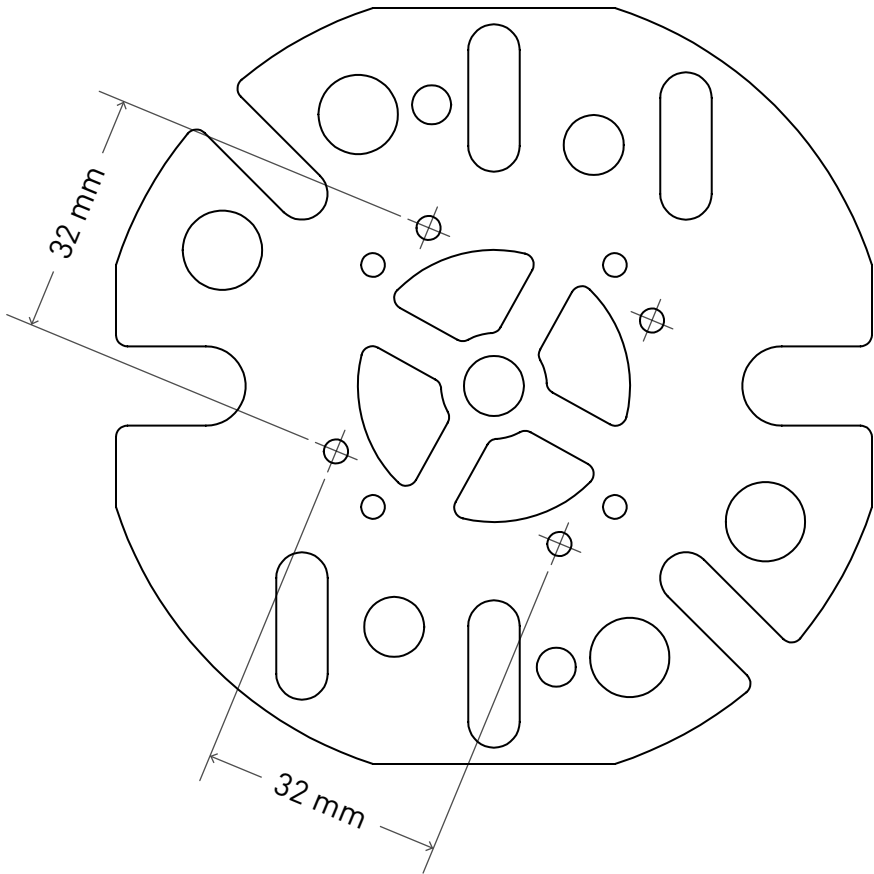
# NINJA STAR ADAPTER PLATE

## INSTALLTION FIGURE



### M3 HOLES

7 of 7



Installation figure is to scale. If printing, do not change scale.

FREEFLY, NINJA STAR ADAPTER PLATE and the Wing Logo are trademarks of Freefly Systems Inc.