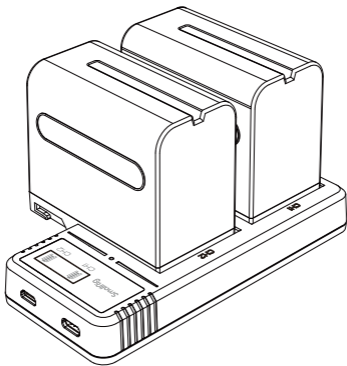


# SmallRig



## Battery and Charger Kit

NP-F970

User Manual

# Foreword

Thank you for purchasing SmallRig products.

## Warnings

- Please read this User Manual carefully before using the product.
- Keep this User Manual properly. If other users want to use this product, give this User Manual with the product.
- Note all the warnings and follow all the instructions provided in this User Manual.
- Do not disassemble or damage the product. If the battery is swollen, deformed or gets wet, immediately stop using the product.
- Avoid dropping the product. Do not use it in excessive temperature or short circuit situation.
- Keep out of reach of children.
- When the battery is not in use for a long time, please charge and discharge the battery every 3-month, and provide it with approximately 60% of the electric quantity to prolong its lifetime.
- Before leaving the factory, the State Of Charge(SOC)of battery  $\leq$  30% of its rated design capacity.



Do not disassemble the product or replace its battery. If you have any questions, please contact the seller to apply for after-sales service.

## Intended Use

- Read this manual carefully, especially the "Important Note" section.
- Use and store this product in the ambient conditions specified in this manual.
- Failure to use the product in accordance with this manual or within the specified operating and storage conditions will be considered as a breach of warranty.

## Specifications

Battery Type	Lithium-ion Battery	
Battery Parameter	7800mAh 7.2V 56.16Wh	
Battery Charging Limited Voltage	8.4V	
Charger Input	Micro USB: 5V = 2.4A USB-C: 5V = 2.4A	
	Micro USB: 9V = 2A USB-C: 9V = 2A	
Charger Output	5V Input	8.4V = 1000mA (Single)
		8.4V = 700mA (Dual)
	9V Input	8.4V = 1500mA (Single)
		8.4V = 1000mA (Dual)
Operating Environment Temperature	0°C ~ 40°C	

\* The data are measured by SmallRig Lab but may vary based on specific circumstances.

## Battery Instructions

1. Please fully charge the battery pack when using for the first three times.
2. Battery pack would be better charged on SmallRig charger or the original charger.
3. For more information, please refer to the battery part in your camera manual.

# Charger Instructions

1. LCD display of "full charge": The entire battery icon lights up.

(As shown below)



2. LCD display of "charging": The battery icon flashes dynamically.

(As shown below)

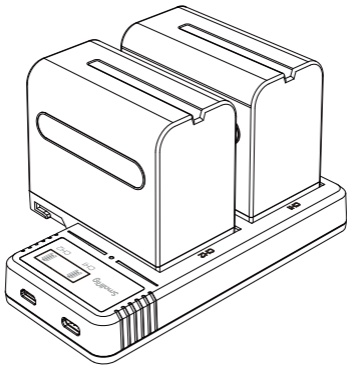


3. Display of "battery failure": The entire battery icon flashes.

(As shown below)



# SmallRig



## 电池充电套装

NP-F970

用户手册

# 前言

感谢您购买SmallRig产品。

## 重要提示

- 请认真阅读本用户手册。
- 请妥善保管用户手册。将产品交给他人使用时，请务必附带本用户手册。
- 请注意所有警告提示并遵循用户手册的所有指令。
- 请勿拆卸或损伤本产品，若该电池膨胀、变形或进水，请立即停止使用。
- 请勿跌落或在高温、短路情况下使用本产品。
- 请将本产品放置在儿童不能接触的地方。
- 电池在长时间储存不用时，应在3个月内进行一次充放电维护，并恢复60%左右的带电量，以延长电池的使用寿命。
- 电池在出厂时的荷电量(SOC)  $\leq$  30%额定设计容量。



请勿拆卸产品，如您怀疑产品有任何问题，请联系购买平台，申请售后处理。

## 设备使用规范

- 请仔细阅读用户手册，特别是“重要提示”部分。
- 请在用户手册规定的环境条件下使用或保存本产品。
- 如不按照用户手册使用产品，或不遵守规定的工作和保存条件，将被视为违规使用。

## 产品参数

电池类型	锂离子电池	
电池参数	7800mAh 7.2V 56.16Wh	
电池充电限制电压	8.4V	
充电器输入	Micro USB: 5V=2.4A USB-C: 5V=2.4A	
	Micro USB: 9V=2A USB-C: 9V=2A	
充电器输出	5V 输入	8.4V=1000mA (单充)
		8.4V=700mA (双充)
	9V 输入	8.4V=1500mA (单充)
		8.4V=1000mA (双充)
工作环境温度	0°C ~ 40°C	

\* 数据由 SmallRig 实验室测定值，但因客观环境改变，数据略有偏差。

## 电池使用说明

1. 前三次使用时请对电池长时间足量充电。
2. 使用 SmallRig 充电器或原装充电器充电，效果更佳。
3. 其他信息请参阅所使用机型说明书中电池部分。

# 充电器使用说明

1. 满电 LCD 显示，电池符号全亮。（如下图）



2. 充电 LCD 显示，电池符号呈流水状闪烁。（如下图）



3. 电池故障显示，电池符号全亮闪烁。（如下图）

