



Canon C300/500 Z-Finder and EVF Recoil Kits

The Canon Kit is a professional solution for operating your Canon C300 or C500. Centered around the Universal VCT Baseplate, this kit allows you to transfer your rig from tripod to shoulder in seconds. Zacuto's C 300/500 Z-Finder connects directly to your Canon monitor giving you a 1.8x magnification with additional diopters to fine tune to your vision. The quick releasable Recoil Handle gives you a secure grip and provides numerous options to mount a variety of accessories.

Parts & Features

1 Universal VCT Baseplate

- 1 3/8"-16 Mounting Screw
- 1 1/4"-20 Mounting Screw
- 2 Ratcheting Levers
- 1 Rod Clamp Riser
- 2 Rear Rod Ports
- Side 1/4"-20 Mounting Holes
- 1 Tail Hook
- 1 VCT Wedge Plate
- 2 15mm Rods
- 1 5/32 & 9/64 Allen Wrench

1 Recoil Handle (EVF & Z-Finder Recoil)

- 1 Tightening Lever
- 1 Rod Port 15mm
- 1 Cold Shoe Accessory Jaws
- 2 Ratcheting Lever
- 1 Z-Rail Jaws
- 1 1/4"-20 & 3/8"-16 mounting holes.

1 Grip Relocator with Z-Mount & Ziwel (EVF & Z-Finder Recoil)

- 1 Rod Port
- 1 Tightening Lever
- 2 Ratcheting Lever

(EVF & Z-Finder Recoil)

- 1 Helmet w/ 1/4"-20 Screw
- 2 M4x6 Helmet Allen Screws
- 1 3" Z Rail

1 C300/500 Z Finder 1.8x (Z-Finder Recoil)

- 1 Lens Cap
- 1 Orientable Eyecup
- 1 Focus Ring
- 1 Coldshoe Monitor Lock
- Locking Bar
- 1 Lens Cloth
- 4 Anti-Fog Coated Optical Diopters (0,+1,+2,+3)
- 1 9/64, 5/32, and 3mm Allen Wrench

1 Z-Finder Mounting Kit (Z-Finder Recoil)

- 2 Tightening Lever
- 1 Coldshoe Slot
- 1 Z-Rail Jaws
- 1 Ratcheting Lever
- 1 5" Z Rail

For additional assembly and individual component features, see numerical figures.

Figure 4:a
Figure 5:a (Z-Finder Recoil)
Figure 6:a (Z-Finder Recoil)
Figure 3:a
Figure 1:a
Figure 2:a

Lever Usage

LEFT LOOSE RIGHT TIGHT

Pull knob out to reposition.

Right Tight Left Loose

Figure 1:a Mounting Camera (EVF & Z-Finder Recoil)

- From the bottom of the VCT Plate, screw the 1/4"-20 and 3/8"-16 mounting screw into the bottom your camera.
- Before securing in place, add on accessories to be used to help find the true balance of your camera. Align both the VCT and camera's center of balance and secure mounting screw in place.

Camera Center of Balance
VCT Universal Baseplate Center of Balance

Figure 1:b Adjusting Rods (EVF & Z-Finder Recoil)

Attach rods to VCT Plate by loosening ratcheting levers, sliding rods into place and then re-tighten levers.

Adjust rod height by loosening both front allen screws equally. Slide rods up or down for desired position and relock allen screws.

Figure 1:c Mounting VCT Plate to VCT-14 Tripod Quick Release Plate (VCT-14 Sold Separately) (EVF & Z-Finder Recoil)

Mount VCT Plate to VCT-14 by sliding the front wedge into front slot of VCT-14 and the tail hook around the rear knob of VCT-14. The VCT-14 will click when the VCT Plate is locked into place.

Pull red lever on VCT-14 to release your Universal VCT Plate.

If needed the tail hook position can be raised or lowered. Loosen both allen screws equally, raise or lower tail hook and relock both allen screws when in desired position.

* An alternative mounting method when using a tripod without a VCT14, is to mount your tripod's quick release wedge plate to the wedge on the bottom of the Universal VCT Plate.

Figure 2:a Assembling C300 Grip and Grip Relocator (EVF & Z-Finder Recoil)

Insert connecting cable from c300 grip to grip relocator as shown *

Position c300 grip to your liking on the grip relocator and screw tightly together. finally, plug cable into c300.

***ATTENTION:**
PRESS CONNECTOR FIRMLY INTO GRIP RELOCATOR UNTIL YOU FEEL A CLICK.

Mount the grip relocator to the rods using the rod port on your z mount and ziwel.

Figure 3:a Mounting Helmet to Camera (EVF & Z-Finder Recoil)

- 1 Remove both film plane screws from camera. Attach helmet's 1/4"-20 screw into center of camera's hotshoe. Do not tighten all the way.
- 2 Attach allen screws on both sides of helmet as shown in picture. Tighten both allen screws and 1/4"-20 screw from step 1. Re-attach film plane screws into helmet.

Mount 3" Z-Rail to top center of helmet

Figure 4:a Mounting your Recoil Handle (EVF & Z-Finder Recoil)

To mount the Recoil Handle to 3" Z-Rail on top of the helmet slide jaws onto z-rail and tighten ratcheting lever when in a balanced position.

The jaws can be moved to either end of the handle or rotated 90 degrees to help position the handle and/or accessories in a balanced position.

- 1 Remove allen screw and jaws connected to handle.
- 2 Align jaws with rear mount, and tighten allen screw in place.

Figure 4:b Operating your Recoil Handle (EVF & Z-Finder Recoil)

Threaded Accessories

Rod lock for Zamerican Arms, EVF Mounts, or 15 mm rods

Coldshoe Jaws for shoe accessories.

Figure 5:a Attaching Z-Finder to Canon Monitor (Z-Finder Recoil)

Before assembling Z-Finder, orient your Canon Monitor as shown below.

- 1 Unlock red locking bar.
- 2 Flip down Z-Finder coldshoe monitor lock, and slide Z-Finder onto Canon screen.
- 3 Relock red locking bar.
- 4 Tighten Z-Finder coldshoe monitor lock around the Canon Monitor Coldshoe.

Figure 5:b Attaching Z-Finder and Monitor to Mounting Kit (Z-Finder Recoil)

- 1 Slide monitor coldshoe into the mounting kit's coldshoe slot. Tighten inside lever when securely in place.
- 2 Mounting kit positioning is adjustable with the two levers highlighted above.

Figure 5:c Mounting Z-Finder, Monitor and Mounting kit to Helmet (Z-Finder Recoil)

- 1 Mount 5" Z-Rail to the left side of the helmet.
- 2 Slide mounting kit with Z-Finder and monitor onto Z-Rail. Adjust for user comfort before locking mounting kit in place.

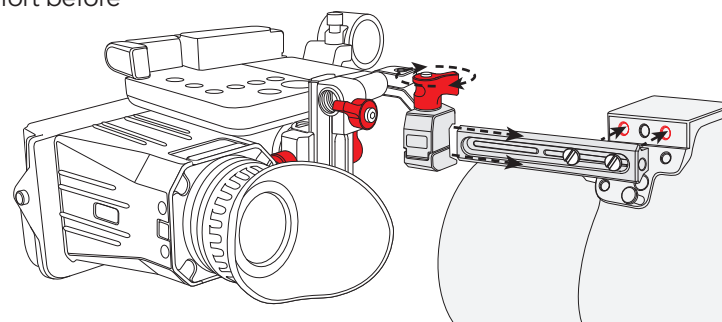


Figure 6:a Focusing Z-Finder (Z-Finder Recoil)

To help focus the diopter, use letters in the camera menu screen to focus in on.

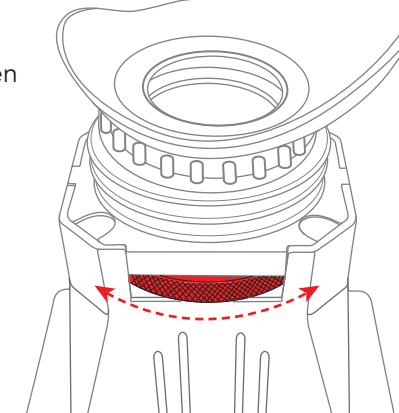


Figure 6:b Inserting Diopters (Z-Finder Recoil)

If your LCD is not in focus, after fully extending with focus ring, you will need to add a diopter. Take out the 0 diopter, which is already in for protection. We recommend starting with the +1, if the LCD is still not in focus then swap out the +1 for a +2 or +3 until focus is attained. (A +4 and -1 Diopter are sold separately, if needed.)

- 1 Loosen screws and rotate sun mask until all three notches align with screws.
- 2 Remove sun mask by lifting up, remove 0 diopter and insert your desired diopter, convex side down.
- 3 Place sun mask back on top of diopter. Rotate sun mask to original position and tighten screws.



See front figure for full correct Assembly
Please visit www.zacuto.com for more support
For additional accessories visit store.zacuto.com