

User guide

Profoto D30

Congratulations on your new Profoto product!

Regardless if you chose a new flash or a new light shaping tool, know that more than half a century's worth of experience was put into its making.

If the years have taught us one thing, it is never to neglect a single detail. We only put our name on a product in which we have the fullest confidence. Before shipping, every one of our products passes an extensive and strict testing program. Unless it complies with the specified performance, quality and safety, it is a no-go.

As a result, we are confident that your new Profoto product will stay with you for years and help you grow as a photographer. But getting the product is only the beginning of that journey. Using it for light shaping is the real adventure for today and into the future. That is why we take pride in providing you such a wide assortment of light shaping tools and continuing to bring you the latest technology to our products, allowing you to shape the light in any way you can imagine across any devices.

The almost infinite possibilities might seem bewildering at first, but we're certain you will soon get the hang of it.

Make sure you download our Profoto app and sign up to MyProfoto account to manage your Profoto devices and stay updated with product news and updates. You'll also receive insights, tips and tricks from leading photographers on how to shape light; because we hope that sharing our experiences from over 50 years of light shaping will inspire you to grow even further.

Enjoy your Profoto product.

Conny Dufgran, founder

General safety instructions



IMPORTANT SAFETY INFORMATION & WARNINGS!

Do not operate the equipment before studying the Quick Start and Safety Guide and the User Guide. Make sure that the Quick Start and Safety Guide is always accessible to the user! Profoto products are intended for professional use! Profoto products are intended for indoor condition use! Do not place or use the equipment where it can be exposed to moisture, extreme electromagnetic fields, or in areas with flammable gases or dust! Do not expose the equipment to dripping or splashing. Do not place any objects filled with liquids, such as vases, on or near the equipment. Should any water or pollutants such as ash, dust, or insects end up in the product, disconnect the mains power cable from the outlet. Do not touch the equipment. Contact Profoto service! Do not expose the equipment to rapid temperature changes in humid conditions as this could lead to condensation water in the unit. Do not connect lights, or use light shaping tools, from other manufacturers. Do not use flash heads without the supplied protective glass covers or protective grids provided. Replace glass covers impaired, for example by cracks or deep scratches. Replace lamps if they are damaged or thermally deformed. When placing a lamp into the holder be sure to not touch the bulb with bare hands. Always use protective gloves and allow equipment to cool down before placing lamp. Always use protective gloves and safety glasses while performing maintenance on the flash equipment. If the product enclosure should crack, immediately stop using the product, disconnect the mains cable from the wall outlet and contact Profoto Service! It is unavoidable that the type of capacitor used in flash products can sometimes break. If this should happen a sharp smell may emit from the flash product along with smoke. Avoid getting this emission in the face. If the emission should get in the eyes or mouth, rinse with water. The emission is nontoxic. Rinse with water and soap if you get leaking electrolyte on skin. Do not ingest the electrolyte. Always lift generators and lights by their handles and never by the connectors or cables. Do not connect to mains power or otherwise operate a product that has been left in a hot or cold environment, such as a car. Let the product reach the approved operating temperature before doing so. Do not mount or use the equipment at a height exceeding 2 m (6.5 feet). When using a stand, always make sure the equipment is securely attached. Remove transport cap from lamp head before use! Never install the product in a confined space. Always leave space around the product for ventilation, do not cover any ventilation openings! Do not obstruct ventilation by placing filters, diffusing materials, etc. over inlets and outlets of the equipment ventilation or directly over glass cover, modeling lamp, or flash tube! Do not expose product to excessive heat such as sunshine, heat sources, fire or similar. Profoto products are only intended for the purpose of image capture, such as photography and videography. They are not intended for use in any other application. To clean the unit, wipe with a soft cloth moistened with a little mild detergent. Use another soft, dry cloth to wipe dry.



WARNING - Electric Shock - High Voltage!

Mains powered generator shall always be connected to a mains socket outlet with a protective earthing connection! Do not attempt to repair this product yourself, as opening or removing screwed covers may expose you to the risk of electric shock. Equipment must only be serviced, modified, or repaired by authorized and competent service personnel! Warning - The terminals marked with the flash symbol are hazardous live. Equipment operates with high voltage. The flashes, generators, or lamp heads may be hazardous live, for a considerable time, even when powered off and/or the mains cable has been removed. Do not touch modeling lamp or flash tube when mounting umbrella metal shaft in its reflector hole. The mains plug or appliance coupler is used as disconnect device. The disconnect device shall remain readily operable. Disconnect the mains cable and wait at least 10 minutes before attempting to replace flash tube and/or modeling light. When you are done using the equipment, always disconnect from the mains outlet by pulling the plug, not the cable. Never use ordinary household extension cords to elongate the power cable. They may overheat. Always unwind cord reel extension winders fully before use. Contact your Profoto dealer for proper equipment. Never operate the equipment without a functioning flash tube and/or modeling light.

**Caution – Burn Hazard – Hot Parts!**

Do not touch hot parts with bare fingers! Modeling lamps and flash tubes may make certain metal parts, front lenses, or glass covers emit strong heat when used! All lamps may on rare occasions explode and throw out hot particles! Do not point modeling lamps or flash tubes too close to people.

**Warning – Loud Noise Hazard**

There is a risk of exposure to sudden loud noise. Please use hearing protection and/or observe a minimum safety distance of 34 cm (13 in.) between the generator and users/other people present.

**Caution**

Possibly hazardous optical radiation emitted from this product. Do not stare at operating lamp. May be harmful to the eye. Do not trigger a flash towards an a subject who is not expecting the flash, any person operating heavy equipment, or anyone performing any other activities where an unexpected flash could cause injury or harm. Please note that flashes can be triggered remotely from a long distance.

NOTICE Note about RF!

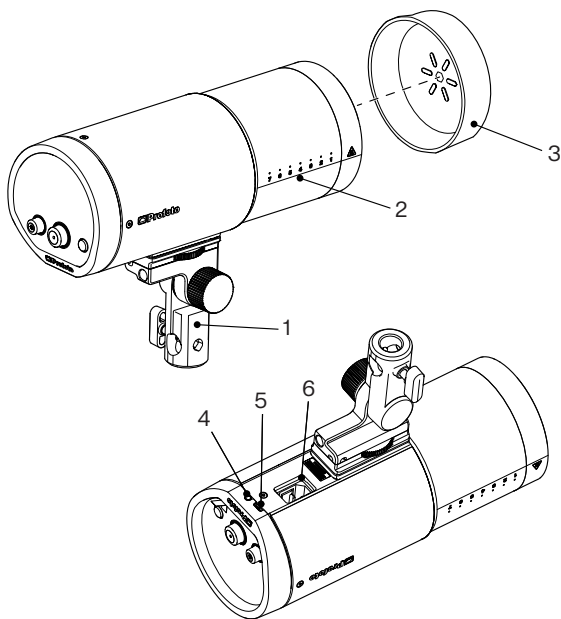
This equipment makes use of the radio spectrum and emits radio frequency energy. Make sure the device is operated according to local regulations. The frequency spectrum used by this device is shared with other users. Interference cannot be ruled out. Regulations change from time to time, so please make sure you are using the latest firmware and instructions to ensure compliance with rules and regulations. The firmware can be updated using the Profoto app. According to RF exposure regulations, under normal operations the end user shall refrain from being closer than 20 cm from the device.

Table of Contents

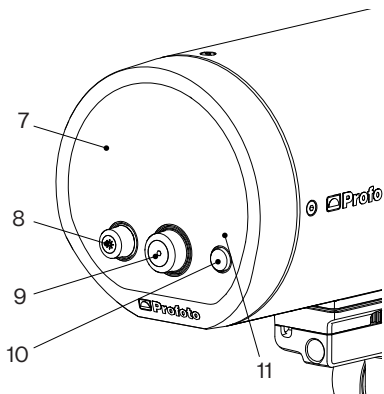
General safety instructions.....	4
Nomenclature	9
Getting started.....	11
Mandatory safety instructions	11
Powering up the unit.....	12
Product registration and firmware update.....	12
Attach the stand adapter.....	13
Setup on light stands.....	14
Mount Profoto Light Shaping Tools.....	15
Basic operation.....	17
Switch on/off.....	17
Indicators	17
Adjust the flash power.....	18
Adjust the continuous light	18
D30 unit states.....	20
Settings.....	22
Air group.....	22
Air channel.....	22
Air	23
Bluetooth	23
IR Sync	23
Flash mode	23
Continuous light	24
General settings	25
Connectivity	27
Set up connectivity with Profoto remotes.....	27
Profoto apps	28
Maintenance.....	29
Care instructions.....	29
Replacing front glass/flash tube	29

Other	31
Overheat protection	31
Serial number	31
Technical specifications	32
Warranty	34
Credit	34

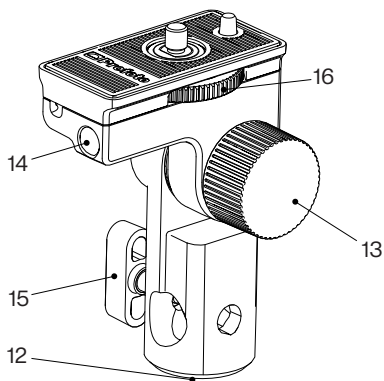
Nomenclature



- | | |
|-----------------------------|---------------------|
| 1. Stand adapter | 4. Sync port |
| 2. Zoom scale | 5. USB |
| 3. Protective transport cap | 6. Power connection |



- 7. Display
- 8. Continuous light dial
- 9. Main dial
- 10. Test & ON/OFF button
- 11. Standby LED



- 12. Stand stud mount
- 13. Tilt-lock knob
- 14. Umbrella holder
- 15. Clamp screw
- 16. Attachment screw wheel

Getting started

Mandatory safety instructions

Flash Equipment Safety Brief

Transport & Handling

Cap and Power Off: Before transportation, turn off the unit, mount the transport cap, and disconnect from mains power and/or remove the battery if applicable.

Safe Transport: Always use the provided case to prevent damage during transport.

11

Before Use:

Inspect: Before connecting to mains and/or inserting the battery, check the housing and front glass for cracks.

In the Event of Equipment Damage

Stop Use and Disconnect: If there are any open cracks in the housing or front glass, immediately stop use, disconnect from power and/or remove the battery to prevent electric shock risk. Do not touch any internal parts and contact Profoto Service or an authorized service center for assistance.

High Voltage Warning

Persistent Voltage: High internal voltage remains up to 10 minutes after the unit is turned off and disconnected from battery or mains. Never remove front glass or touch any parts inside without referring to the complete user guide and Quick Start and Safety Guide.

Self-Maintenance

Caution with Maintenance: Refer to the complete user guide and Quick Start and Safety Guide and wear protective gear for any allowed self-maintenance activities, such as replacing the front glass or flash tube.

Repairs

Authorized Service Only: Any repairs beyond basic self-maintenance must only be performed by authorized service personnel. For assistance, contact Profoto Service or an authorized service center.

In addition to this user guide, you are required to read the Quick Start and Safety Guide before you start using your D30. It contains vital information for the safe operation of the product as well as important regulatory information. The Quick Start and Safety Guide for the D30 is supplied in print and has been translated into many languages. It can also be found for download where you download this user guide.

Powering up the unit

1. Connect the power cable connector to the power connection at the back of the D30 [6].
2. Connect the power cable to mains power.

The D30 unit starts and the display lights up.

Product registration and firmware update

Before using your product for the first time, it needs to be registered and updated. Scan the QR code below or go to profoto.com/setup for additional instructions.

**Register your light
for extra warranty**

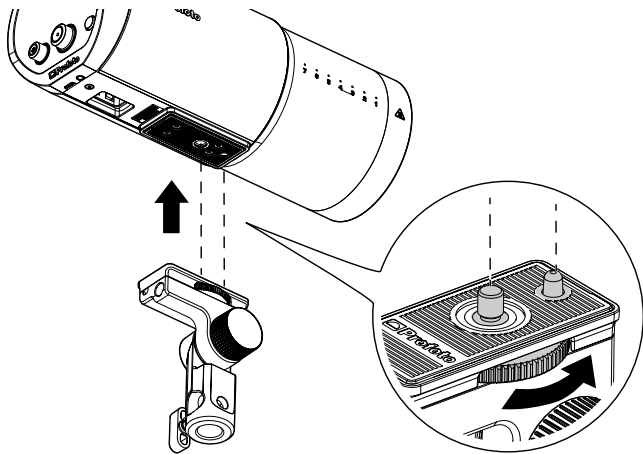


profoto.com/setup

Attach the stand adapter

Attach the stand adapter to the stand adapter attachment point on the D30.

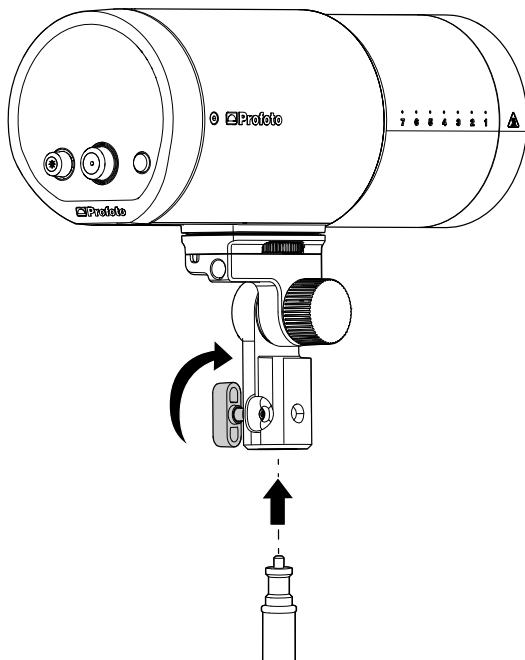
1. Before attaching, observe that the alignment pin on the stand adapter fits into the alignment pin hole on the D30.
2. Tighten the attachment screw with the attachment screw wheel [16] until the stand adapter sits firm.



Setup on light stands

Before mounting the D30 onto a light stand, you need to attach the stand adapter. Once the stand adapter is attached, follow the instructions below.

1. Fit the stand adapter to the light stand and secure it with the clamp screw [15].
2. Loosen the Tilt-lock knob [13] to adjust the tilt position.
3. Tighten the Tilt-lock knob [13] to lock the tilt position.



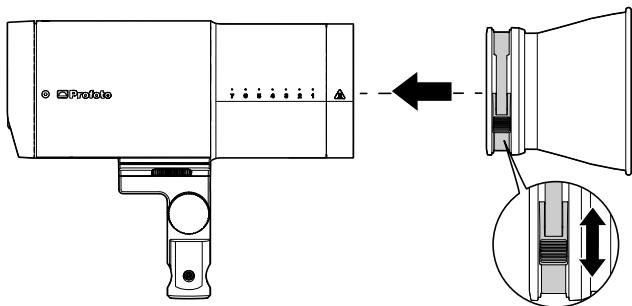
Mount Profoto Light Shaping Tools

The D30 unit has a built-in reflector that creates a wide and even light spread with a high output. In addition, the unit is compatible with more than 120 light shaping tools, which can be used to shape its already beautiful light into almost any light you can imagine.

Mount tools with standard reflector mount (rubber collar with clasp)

Most reflectors are equipped with Profoto's unique clamp mechanism. This makes them easy to mount and allows you to shape the light by simply sliding the reflector back and forth along the zoom scale [2] on the unit.

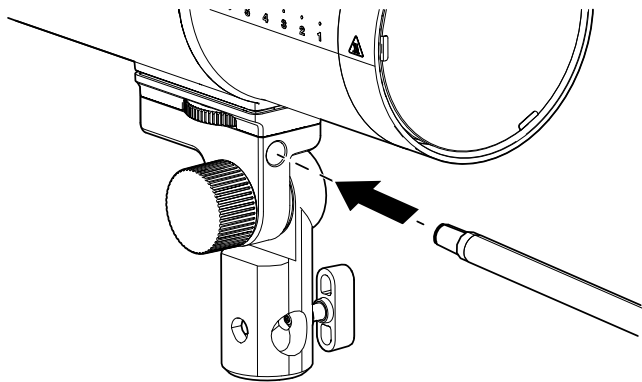
1. Unlock the clasp on the reflector.
2. Slide the reflector onto the front of the D30. Use the zoom scale [2] as a memo for where to position the reflector.
3. Secure the reflector by locking the clasp on the reflector.



Mount umbrellas

The umbrella holder is integrated into the stand adapter. Umbrellas are easily mounted by sliding the umbrella shaft into the umbrella holder [14]. The umbrella shaft diameter must be between 7 mm and 8 mm to fit into the umbrella holder.

1. Mount the stand adapter on the unit.
2. Slide the umbrella shaft into the umbrella holder [14] passing the point where you feel some friction.
3. Continue to slide the umbrella shaft into the umbrella holder [14] until the umbrella is positioned where you want it to be.



Basic operation

Switch on/off

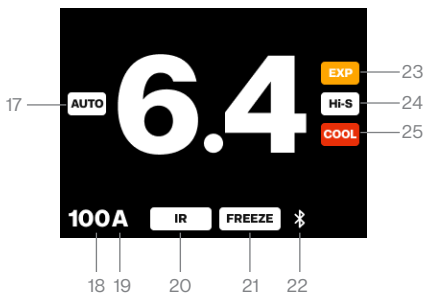
1. To switch on the unit, press the Test button [10].
2. To switch off the unit, press and hold the Test button [10].

When the unit is switched off, the current settings are stored and will apply when the unit is switched on again.

NOTE

The unit automatically enters a sleep state after a period of inactivity. The period of inactivity for the sleep function is selectable via the settings menu.

Indicators



- | | |
|-----------------------------|-------------------------|
| 17. Auto (TTL flash update) | 22. Bluetooth |
| 18. Channel | 23. Exposure warning |
| 19. Group | 24. HSS |
| 20. IR Slave | 25. Overheat protection |
| 21. Flash mode | |

Adjust the flash power

The flash power setting (light output) is shown in big, bold numbers on the display [7]. The power scale is a relative f-stop scale from 0.1-10. The maximum light output is shown as 10.

Use the Main dial [9] to change the flash light output:

- Turn the Main dial [9] to change the light output in 1/10 f-stop increments.
- Press and turn the Main dial [9] to change the light output in 1 f-stop increments.
- Press the Test button [10] to release a test flash.

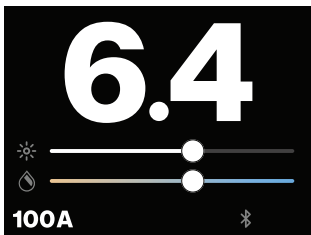
Adjust the continuous light

The continuous light can be set to FREE or PROPORTIONAL (factory default setting) in the settings menu.

1. When set to FREE, the continuous light brightness can be adjusted separately from the flash power.
2. When set to PROPORTIONAL, the continuous light brightness is always proportional to the flash power.

Adjusting the continuous light when it is set to FREE

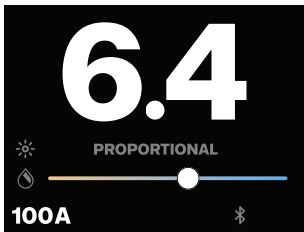
1. Press the Continuous light dial [8] to turn the continuous light on or off.
2. When the continuous light is on, the brightness and color temperature are indicated in the display by two separate bars.



3. Turn the Continuous light dial [8] to change the brightness.

Adjusting the continuous light when it is set to PROPORTIONAL

1. Press the Continuous light dial [8] to turn the continuous light on or off.
2. When the continuous light is on, the brightness and color temperature are indicated as shown below, with the mode label "PROPORTIONAL".



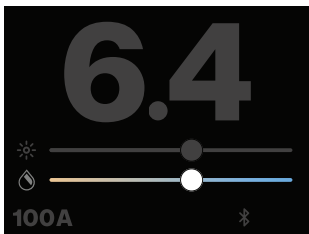
3. Turn the Main dial [9] to change the intensity. This will change both flash and continuous light proportionally.

NOTE

When altering the continuous light in proportional mode, the flash power setting will follow.

Adjusting the Color temp

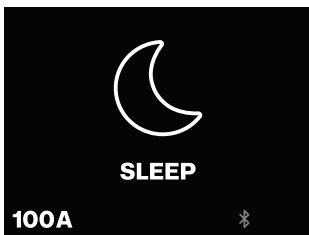
1. Press and turn the Continuous light dial [8] to change the color temperature.



D30 unit states

In addition to the normal operating state which has been described thus far, the unit has three other states.

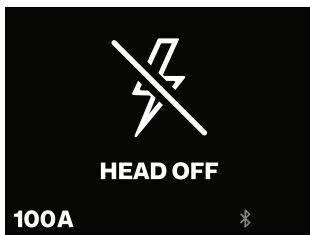
Sleep



The unit automatically enters a sleep state after a period of inactivity. The inactivity duration for the sleep function can be selected via the settings menu. If the continuous light is ON, the unit will not go into a sleep state.

During the sleep state, certain functions and backlights are turned off to conserve power. However, Air and BLE (Bluetooth Low Energy) connections remain active. The unit returns to the normal state if any interaction is made manually, through the app, or via a Profoto remote.

Head off



The unit can only enter a “Head Off” state by selecting “Head Off” from either the remote or app. When in the Head Off state, the flash function and continuous light are turned off.

The unit returns to the normal state if “Head On” is selected from the remote or app, or by pressing any button or turning any knob/wheel on the unit. Upon returning to the normal state, the unit reverts to the same flash energy and continuous light settings it had before the “Head Off” state was activated.

Mobile capture



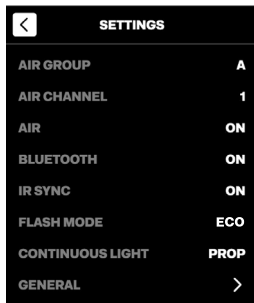
When the unit is connected to the Profoto Camera App with the camera view active, it enters the “Mobile Capture” state.

In this state, it is not possible to control energy or continuous light on the unit. The Main dial [9] can be pressed to access the Settings menu, and pressing the Test button [10] will trigger the camera to take an image. The unit returns to the normal state when the camera view is deactivated in the Profoto Camera App.

Settings

All D30 settings are accessed and selected through the settings menu.

1. Press the Main dial [9] to enter the settings menu.



2. Scroll through the settings menu by turning the Main dial [9].
3. To change a setting, press the Main dial [9]. For some settings, a sub menu will appear.
4. To return to the previous menu, press the Continuous light dial [8] or select the left arrow symbol at the top of the menu.
5. To return to the main screen, press the Test button [10].

Airgroup

The AIR GROUP setting is used to select the group (A-F) for wireless control via Profoto Air. Factory default setting is group A.

NOTE

The AIR GROUP setting is only selectable when AIR is set to ON.

Airchannel

The AIR CHANNEL setting is used to select the channel (1-100) for wireless triggering via Profoto Air. Factory default setting is channel 1.

NOTE

The AIR CHANNEL setting is only selectable when AIR is set to ON.

Air

The AIR setting can be set to ON or OFF to activate or deactivate Profoto Air wireless functionality. When Air is activated, the set channel and group, for example “1A” is shown at the bottom left of the display [7]. Factory default setting is ON.

Bluetooth

The BLUETOOTH setting is used to manage connectivity with the Profoto app. See also section Profoto app connectivity. Factory default setting is ON:

- ON: Bluetooth is activated and the unit can be connected to the Profoto app.
- CONNECTED: The unit is connected to the Profoto app.
- OFF: Bluetooth is deactivated.

NOTE

When the unit is CONNECTED, the DISCONNECT option is selectable.

IR Sync

The IR Sync setting can be set to ON or OFF to activate or deactivate the infrared slave sensor. Factory default setting is OFF.

NOTE

It is highly recommended to set IR Sync to OFF if other methods of triggering (e.g AIR) are used.

Flash mode

The FLASH MODE setting adjusts the flash duration and color temperature on the flash across the full power range. There are three selectable settings: ECO, BOOST and FREEZE. Factory default setting is ECO.

- ECO: (No indicator shown on display)
ECO mode is the default setting recommended for most use cases. It is optimized for color temperature consistency and maximized equipment lifetime.

- **BOOST:** BOOST indicator shown on display
BOOST mode is similar to ECO flash mode but boosted for a little more max light output. The general recommendation is to only use BOOST mode temporarily in use cases where the extra light output is needed.
- **FREEZE:** FREEZE indicator shown on display
FREEZE mode is useful when extremely short flash duration is needed to capture splashing liquid or powder shots without motion blur. Note that the flash color temperature in FREEZE mode will vary much more across the power range compared with ECO and BOOST flash modes.

NOTE

Flash mode settings only apply when flash is used at shutter speeds within the camera X-Sync range. When shooting at shorter shutter speeds with High-Speed Sync, there is no difference between the three settings.

See an overview of the flash duration in ECO/BOOST vs FREEZE mode in the Technical specifications section of this user guide.

Continuous light

The CONTINUOUS LIGHT setting defines how the continuous light intensity is adjusted. There are two selectable settings. Factory default setting is PROP.

- **PROP:** The continuous light intensity is always proportional to the flash power setting. This setting is recommended if the continuous light is used as modeling light.
- **FREE:** The continuous light intensity can be set independently of the flash power setting. This setting is recommended if the continuous light is used as video light.

NOTE

For instructions on how to adjust the continuous light when either PROP or FREE is selected, go to the section “Adjust the continuous light”.

General settings

Ready signal

The READY SIGNAL setting sets how the unit indicates that it is fully recycled after a flash and is ready to flash again. There are four selectable settings. Factory default setting is SOUND.

- **SOUND:** The unit beeps when it has recycled and is ready to flash.
- **DIM:** The continuous light turns off after flashing and turns on when the unit has recycled and is ready to flash.
- **SOUND & DIM:** The unit signals with both SOUND and DIM.
- **OFF:** The unit doesn't signal that it is ready to flash.

NOTE

Test button indicator light always turns off after flash and turns on again when the unit is fully recycled.

Control sounds

The CONTROL SOUNDS setting can be set to ON or OFF to enable/disable tactile sounds for control knobs and buttons. Factory default setting is ON.

Warning sounds

The WARNING SOUNDS setting can be set to ON or OFF to enable/disable the wrong exposure alarm. Factory default setting is ON.

NOTE

The EXP indicator will always appear temporarily on the menu display [7] in case of a wrong exposure alarm, regardless of the warning sound setting.

Display brightness

The DISPLAY BRIGHTNESS setting is used to set display brightness. There are three selectable settings. Factory default setting is AUTO.

- **AUTO**
- **MAX**
- **MEDIUM**
- **LOW**

Auto sleep

The AUTO SLEEP setting sets a timer for a period of inactivity until the unit goes into sleep mode to save energy. There are four selectable settings. Factory default setting is 30 MIN.

- 5 MIN: unit goes into sleep mode after 5 minutes of inactivity.
- 30 MIN: The unit goes into sleep mode after 30 minutes of inactivity.
- 1 HOUR: The unit goes into sleep mode after 1 hour of inactivity.
- NEVER: The unit never goes into sleep mode.

26

Auto off

The AUTO OFF setting determines the behavior when the unit is connected to mains. Factory default setting is 1 HOUR.

- 15 MIN
- 1 HOUR
- NEVER

Display orientation

The DISPLAY ORIENTATION setting changes the way information is displayed on the unit. There are three selectable settings. Factory default setting is AUTO.

- AUTO. The display orientation is automatically adjusted based on the orientation of the unit.
- NORMAL
- REVERSED

Unit stats

The UNIT STATS section displays lifetime accumulated unit stats. Flash count (number of triggered flashes), Runtime (hours in operation) and Power-on count (number of sessions).

About

The ABOUT section displays unit-specific information about the serial number, hardware, and installed firmware.

Regulatory info

The regulatory info section displays regulatory information.

Factory reset

FACTORY RESET will reset all settings to factory default settings.

Connectivity

The D30 comes with built-in Profoto AirX connectivity. AirX is the 3rd generation of wireless Profoto connectivity, after Air and AirTTL.

AirX supports:

- Wireless Air and AirTTL functionality in Profoto Air and AirTTL-enabled remotes.
- Dedicated AirX functionality in AirX-enabled Profoto remotes and apps.

Set up connectivity with Profoto remotes

These instructions only cover the basic setup on the D30. For detailed operating instructions, refer to the user guide for your Profoto remote.

1. In the D30 settings menu, set Air to ON.
2. In the D30 settings menu, select the same channel that is set on your Profoto remote.
3. In the D30 settings menu, assign a group (A-F).

Auto (TTL) with Profoto remotes

Auto (TTL) requires no additional setup on the unit, once the Air channel and group setup are done. Just switch between Auto (TTL) and Manual (MAN) on your Profoto remote to select if you want the remote to adjust the flash automatically or if you want to control it manually.

The D30 will keep the flash power set by Auto (TTL) when you switch the remote to Manual (MAN). This makes it easy to use Auto (TTL) as your “light meter” to get a good starting point for manual adjustments.

When Auto (TTL) is activated by the remote, the **AUTO** indicator temporarily appears on the display [7].

When an Auto (TTL) group adjustment is made on the remote, the **AUTO** indicator, including the offset, temporarily appears on the display [7].

High-Speed Sync (Hi-S) with Profoto remotes

High-Speed Sync (Hi-S) requires no additional setup on the unit, once the Air channel and group setup are done. High-Speed Sync is activated on your remote or camera.

When High-Speed Sync is activated by the remote, the **Hi-S** indicator temporarily appears on the display [7].

Profoto apps

Profoto apps are continuously updated with new functionality and help you keep your D30 up to date with the latest new feature updates and bug fixes.

Some benefits of the Profoto apps are:

- Easy registration and updates. Register ownership and get the latest D30 updates available at your fingertips.
- Smart remote control. Control the D30 from your smartphone screen.
- Smartphone camera. Shape your smartphone images with a real flash.

Profoto apps are available on App Store and Google Play. For more information about the Profoto apps, go to profoto.com.

To connect the Profoto app to the D30, you need to activate Bluetooth (see section Bluetooth). Then start the Profoto app and follow the in-app instructions.

Maintenance

Care instructions

To clean the unit, wipe with a soft cloth moistened with a little mild detergent. Use another soft, dry cloth to wipe dry.

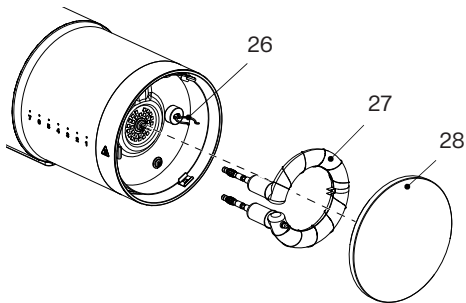
Replacing front glass/flash tube

WARNING - Electric Shock - High Voltage!

Disconnect the power cord and wait at least 10 minutes to let the unit discharge internal high voltage before removing the protective front glass. Always use protective gloves and safety glasses when replacing the flash tube and/or front glass. Never touch or try to replace the flash tube if the glass is cracked.

Removing the flashtube:

1. Remove the front glass sheet [28] by pushing it gently while simultaneously pressing one glass spring towards the metal cylinder using a small flat head screwdriver (or similar).
2. Unfold the sheet metal ribbon pinching the flashtube spring [26] using pliers (or similar).
3. Insert a cable tie (or similar) behind the flashtube [27].
4. Pull out the flashtube [27] using the cable tie.



26. Flashtube spring

28. Front glass

27. Flashtube

Adding a flashtube:

1. Insert the flashtube contact pins into the protruding white sockets. Apply pressure manually on the glass surfaces above the flashtube legs to avoid any risk of damage. Push the flashtube [27] all the way to the bottom. Make sure the flashtube spring [26] passes inside the ribbon.
2. Pinch the ribbon around the flashtube spring [26] and fold it towards the glass.
3. Place the glass sheet [28] on two spring surfaces and push it until pinched in both areas. The frosted glass surface should face outwards. If the frosted glass is placed inward, it may cause burn marks on the glass. Force the third spring towards the metal cylinder using the screwdriver, then push the glass sheet [28] inwards until lodged between all springs.

Other

Overheat protection

A temperature limit indicator is shown on the main screen of the display [7] if the unit has reached a temperature level that has activated the built-in overheat protection. When this occurs, performance is limited until the temperature returns to an acceptable level.

Serial number

The serial number is printed underneath the unit next to the power connection [6]. You can also find the serial number in the display [7] under **SETTINGS>GENERAL>ABOUT**.

Technical specifications

Model name	D30
Regulatory model	PCA1610
Operating temperature	0°C – +35°C/+32°F– +95°F
Storage temperature	Store in normal indoor conditions
Input power	AC 100-240 V, 50/60 Hz, Class I, Max 1100 W, Max 6.5A
Operating frequency and radio output power (Air and Bluetooth Low Energy)	2402-2480 MHz, <10 dBm EIRP

More technical specifications are available on Profoto.com.

D30		Flash duration					
		ECO		BOOST		FREEZE	
Energy (scale)	Energy (Ws)	t0.1(s)	t0.5(s)	t0.1(s)	t0.5(s)	t0.1(s)	t0.5(s)
10	500	1/300	1/900	1/300	1/900	1/300	1/900
9	250	1/350	1/1100	1/350	1/1100	1/1000	1/1100
8	125	1/700	1/1200	1/700	1/1200	1/1900	1/2600
7	62.5	1/800	1/1300	1/800	1/1300	1/3100	1/5400
6	31.3	1/1100	1/1600	1/1200	1/1600	1/4400	1/8800
5	15.6	1/1600	1/3000	1/1700	1/3000	1/5600	1/12000
4	7.8	1/1900	1/3500	1/2000	1/3500	1/6900	1/15000
3	3.9	1/2600	1/5000	1/2600	1/5000	1/8300	1/18000
2	2.0	1/3800	1/8000	1/4000	1/9000	1/8500	1/19000
1	1.0	1/4800	1/10000	1/5300	1/12000	1/9000	1/20000
0.1	0.5	1/5000	1/10700	1/6200	1/13800	1/9800	1/21100

More technical specifications are available on Profoto.com.

Warranty

All generators, heads and remote controllers manufactured by or for Profoto which bear the Profoto trademark, name, or logo are individually tested before they leave the company and guaranteed for a period of two years with the exceptions set out in the Warranty terms. If you have any technical problems with the product, please contact an authorized Profoto service station or visit: <https://profoto.com/support/warranty>.

Credit

App Store is a trademark of Apple Inc., registered in the U.S. and other countries and regions.

Google Play and the Google Play logo are trademarks of Google LLC.

The Bluetooth word mark and logos are registered trademarks owned by the Bluetooth SIG, Inc. and any use of such marks by Profoto is under license.

USB Type-C and USB-C are registered trademarks of USB Implementers Forum.

Other trademarks and trade names are those of their respective owners.

Profoto AB
Box 1264,
172 25 Sundbyberg
Sweden

+46 (0) 8 447 53 00
info@profoto.com
www.profoto.com



Technical data and product information are subject to change without notice.

August 2024. M0008464-00100. Printed in Sweden.