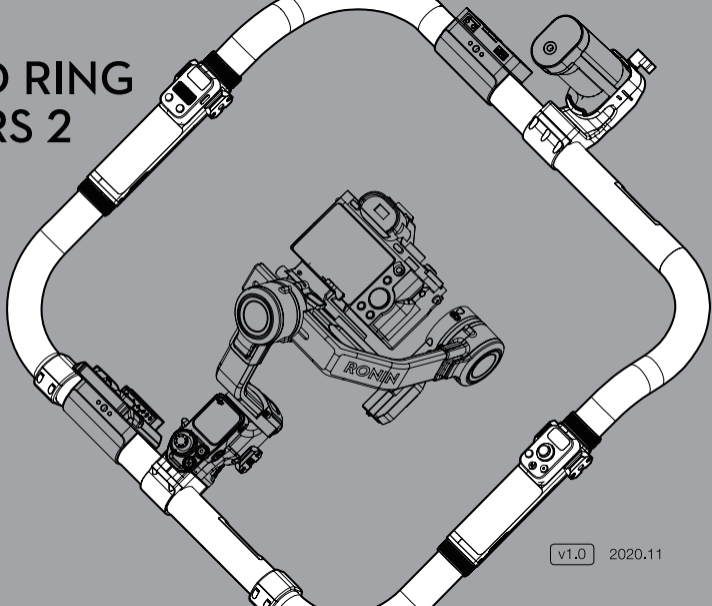


ADVANCED RING GRIP FOR RS 2

专业环形手持套装



TILTA

v1.0

2020.11

免责声明和警告

感谢您购买 TILTA 产品。本文所提及的内容关系到您的安全以及合法权益与责任。

使用本产品之前, 请仔细阅读本文以确保已对产品进行正确的设置。不遵循和不按照本文的说明与警告来操作可能会给您和周围的人带来伤害, 损坏本产品或其它周围的物品。本文档及本产品所有相关的文档最终解释权归 TILTA 所有。如有更新, 恕不另行通知。请访问 www.tilta.com 官方网站以获取最新的产品信息。

一旦使用本产品, 即视为您已经仔细阅读免责声明与警告, 理解、认可和接受本声明全部条款和内容。您承诺对使用本产品以及可能带来的后果负全部责任。您承诺仅出于正当目的使用本产品, 并且同意本条款以及 TILTA 制定的任何相关条例、政策和指引。

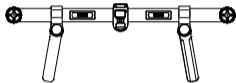
TILTA 对于直接或间接使用本产品而造成的损坏、伤害以及任何法律责任不予负责。用户应遵循包括但不限于本文提及的所有安全指引。

即使存在上述规定, 消费者权益依然受当地法律法规所保障, 并不受本免责声明影响。

TILTA 是深圳市铁头科技有限公司及其关联公司的商标。本文出现的产品名称、品牌等, 均为其所属公司的商标或注册商标。

In the Box | 物品清单

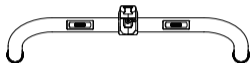
»»»



Ring Grip - Top Arm

环形手持-上臂

× 1



Ring Grip - Bottom Arm

环形手持-下臂

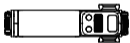
× 1



Remote Control Handle

环形手持-遥控手柄

× 1



Dual Channel Wireless Lens Control Handle

环形手持-双跟焦手柄

× 1



Wireless Control Receiver Module for RS 2

无线接收盒

× 1



Silicone Protective Cover

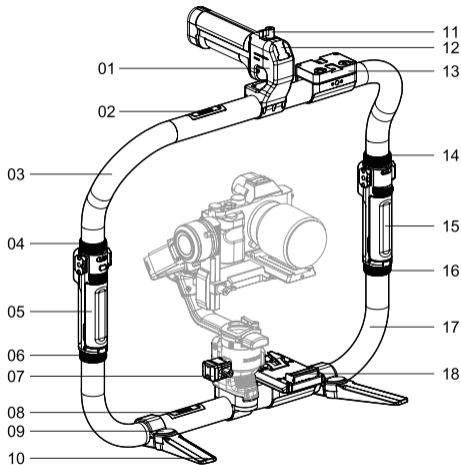
硅胶保护套

× 2

认识

专业环形手持

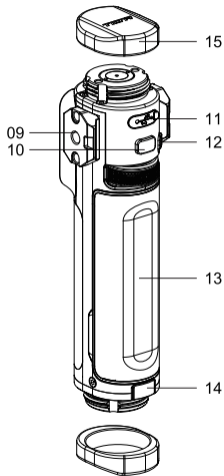
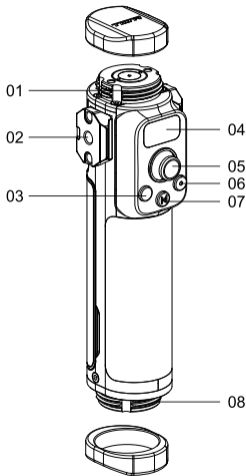
- 01. 供电手柄接驳件
- 02. 供电口-上
- 03. 环形手持-上臂
- 04. 旋钮
- 05. 控制手柄
- 06. 旋钮
- 07. 无线接收盒
- 08. 供电口-下
- 09. 脚架开关
- 10. 脚架



- 11. 手扭螺丝
- 12. 冷靴槽
- 13. 输出供电 (选配)
- 14. 旋钮
- 15. 双跟焦手柄
- 16. 旋钮
- 17. 环形手持-下臂
- 18. V口供电底座 (选配)

控制手柄

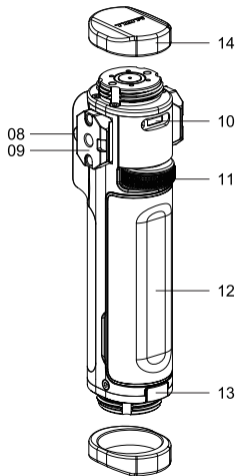
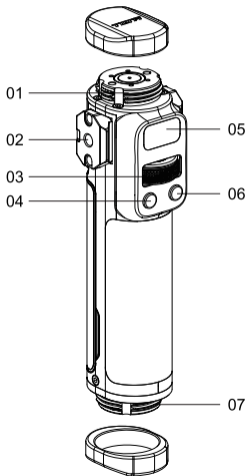
- 01. 顶部衔接螺纹
- 02. NATO接口
- 03. 扳机键
- 04. 显示屏
- 05. 摇杆
- 06. 相机控制按键
- 07. M按键
- 08. 底部衔接螺纹



- 09. NATO接口
- 10. 开机键
- 11. Type-C 输出口
- 12. 跟焦切换键
- 13. 电池仓盖板
- 14. 电池仓卡扣
- 15. 硅胶保护套

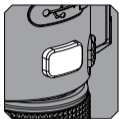
双跟焦手柄

- 01. 顶部衔接螺纹
- 02. NATO接口
- 03. 跟焦轮
- 04. 按键1
- 05. 显示屏
- 06. 按键2
- 07. 底部衔接螺纹



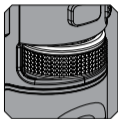
- 08. 开机键
- 09. NATO接口
- 10. Type-C 输出口
- 11. 跟焦轮
- 12. 电池仓盖板
- 13. 电池仓卡扣
- 14. 保护套

控制手柄按键功能



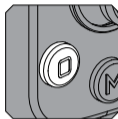
开机键

长按 3 秒：开关机
单击：切换主界面
双击：云台休眠
再双击：唤醒云台
三击：进入菜单功能设置



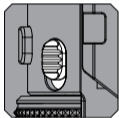
电子跟焦轮 *

可以控制原力系列电机
和大疆电机



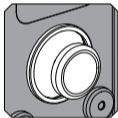
Trigger 键

单击：开始智能跟随
(安装图传系统并开启)
双击：云台回中
三击：进入自拍模式
长按不放：进入锁定模式



跟焦切换键

Up：控制大疆跟焦电机
Down：控制原力系列电机



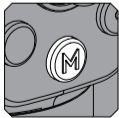
摇杆

上下摇动：控制俯仰轴运动
(默认)
左右摇动：控制平移轴运动
(默认)



相机控制按键 *

半按：控制自动对焦
短按：开始或停止录像
长按：拍照

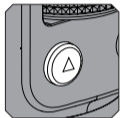


M 按键

单击：切换云台模式
长按不放：进入运动模式。长按并双击扳机锁定运动模式，(不需保持长按不放)重复可退出。
双击：竖拍模式，再次双击 M 键取消竖拍模式。
三击：进入 360 旋转模式，重复可退出。360 旋转模式下，向左或向右连续摇动摇杆两次，可使相机自动旋转，双击扳机键可停止。

* 相机控制按键以及前置拨轮功能要求连接相应的快门控制线，并根据相机的实际情况有所区别。

双跟焦手柄按键功能



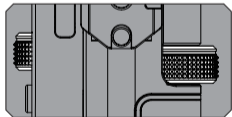
按键 1

- 单击：查看位置信息
- 再次单击：退出
- 双击：通道 +1
- 长按：进入主菜单设置



按键 2

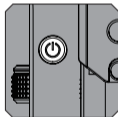
- 单击：A-B 点设置
- 双击：通道 -1
- 长按：进入 AB 和 CAL 功能设置
- 三击：取消所有的 A-B 点设置



前后双跟焦轮

双通道跟焦手柄, 通过对跟焦轮的编号设置对应不同的马达号, 可以控制相机的跟焦, 变焦, 光圈

(注: 此跟焦手柄只适配 tilta 原力系列跟焦电机)

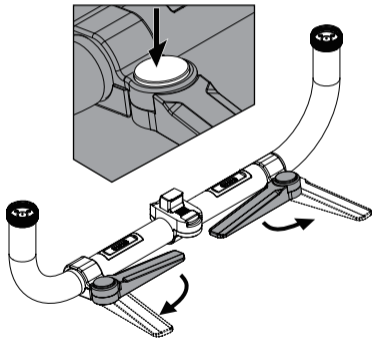


开机键

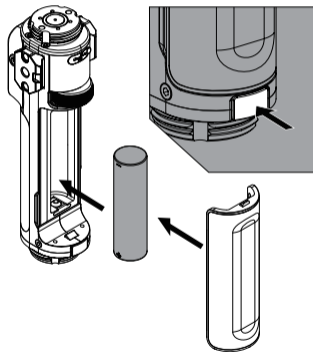
- 长按 3 秒：开机或关机
- 单击：REC 和 STBY 切换
- 双击：MASTER 和 SLAVE 切换

组装

1、按下圆形脚架开关，分别向外侧打开脚架。

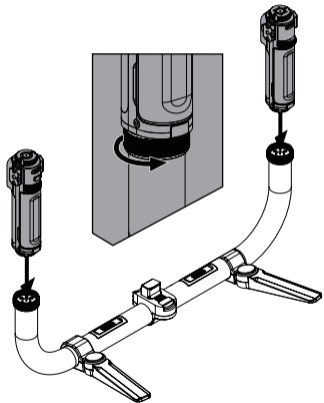


2、按压控制手柄和双跟焦手柄上的电池仓卡扣打开手柄电池仓盖板将18650电池装入手柄内，盖好电池仓盖板即可。



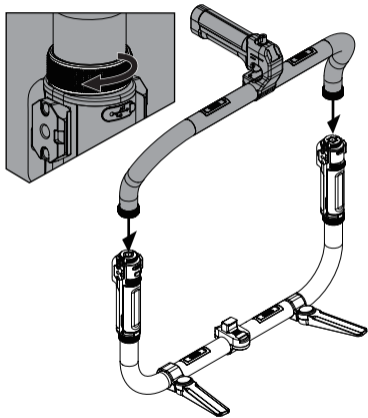
注：电池为选配。
搭配环形手持时无需安装电池，单独使用需要安装电池。

- 3、对准限位柱，将两个手柄分别装至环形手持-下臂逆时针方向转动旋钮，锁紧手柄。



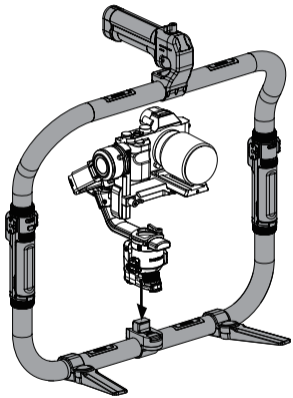
注：手柄安装有方向要求。

- 4、将环形手持-上臂安装至两个手柄的上方，顺时针方向旋紧旋钮。

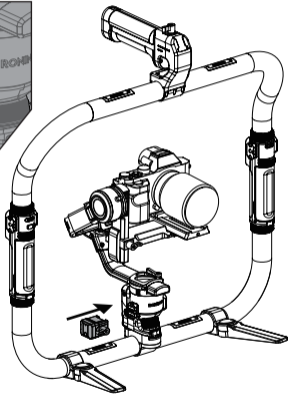
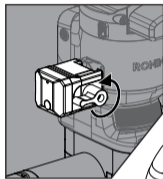


注：可以根据需要来调整安装方向。

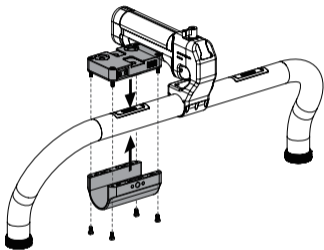
5、将DJI RS 2安装至环形手持套装上。



6、将无线接收器安装至DJI RS 2右边的NATO接口上并旋转拧紧手扭螺丝
此时显示灯为绿色。(安装时需根据说明书来使用, 以免对触针造成损坏)

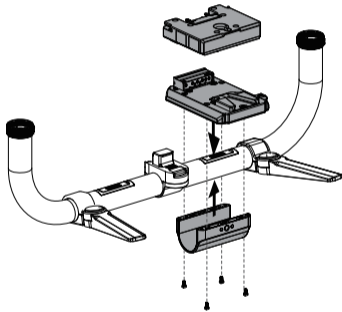


- 7、可将输出供电安装至上环臂供电口位置处，螺丝锁紧即可。
有预留冷靴口、1/4、3/8螺纹口，可以接蜗牛云台，手机支架等配件
有P-TAP B型供电口和USB接口，可以给监视器和手机供电。
(选配)



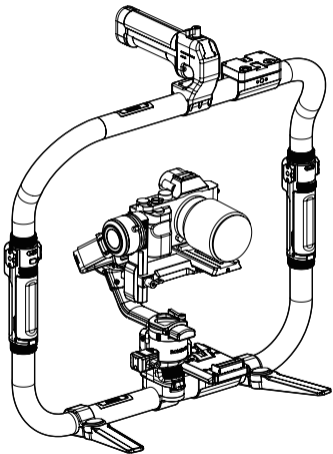
注：可根据需求，自行安装。

- 8、可将V口供电底座或安东口供电底座安装至下环臂供电口位置处，螺丝锁紧即可。可以实现超续航不间断供电。
(选配)



注：上下供电口位置均可安装。

9、完成专业环形手持安装。



控制手柄对频方式

1. 同时按住 M 键和录制键可快速进入自动搜索状态，再双击 RS2 接收盒上的按键，指示为红灯闪烁，此时控制手柄搜索连接后，RS2 接收盒的指示灯自动变绿灯。对频成功，控制手柄可以无线操控云台，无线距离为 80M。

双跟焦手柄使用说明

双跟焦手柄可以控制原力N电机和原力M电机，将手柄的无线通道和马达号与跟焦电机无线通道和马达号调节一致即可进行跟焦和变焦。

单击“▲”可以查看跟焦轮的信息

- 对频方式：
- 1 可以通过双击“▲”和“▼”调节与电机相同的无线通道进行对频。
 - 2 EZ模式对频,同时按住手柄▲和▼进入EZ搜索状态,同时也按住原力M的▲和▼进EZ模式,等待被手柄搜索手柄搜索到后会有相对应的马达数量,按确定键确认,EZ模式对频完成。

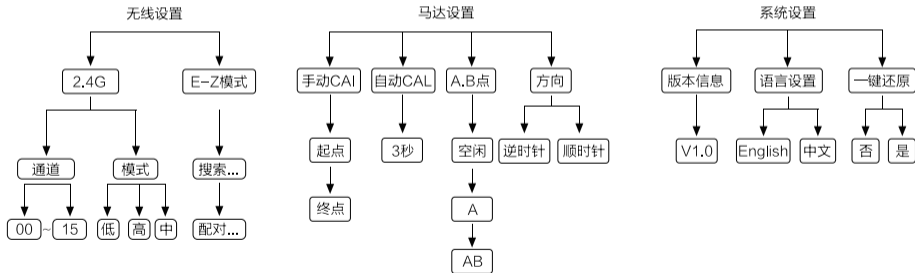
控制手柄菜单功能

长按开机键 开/关机

单击开机键 回到主菜单

双击开机键 云台休眠

三击开机键 进入菜单栏 (M键是确定键, 录制键是返回键, 摇杆 (上下为上下选, 左右无效, 长按3S为快速选择))

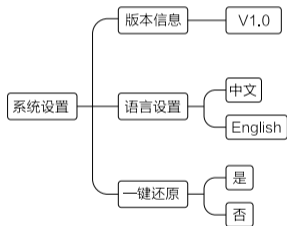


双跟焦手柄菜单功能

单击“▲”是上键，单击“▼”是下键，双击“▲”是确认键，双击“▼”是返回键，长按3S以上是快速选择。

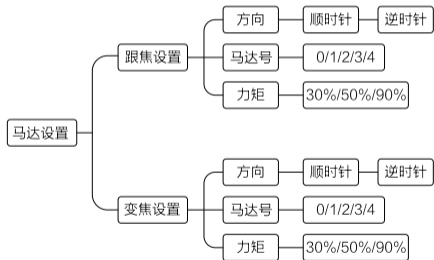
系统设置的界面操作：

长按“▲”键进入“菜单界面”，选择系统设置。



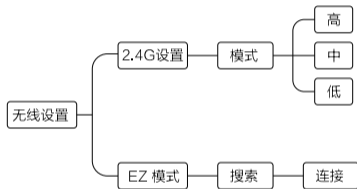
马达设置的界面操作：

长按“▲”键进入“菜单界面”，选择马达设置。



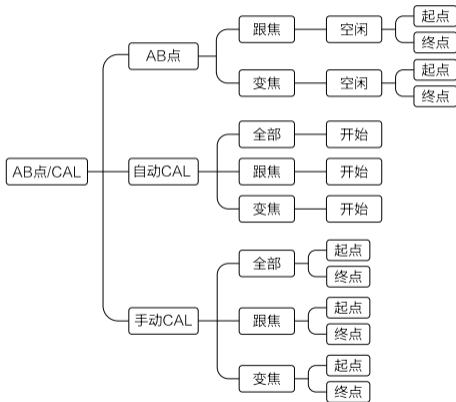
无线设置的界面操作：

长按“▲”键进入“菜单界面”，选择无线设置。



A/B点和CAL的设置界面操作：

长按“▼”键进入“菜单界面”，选择A/B点和CAL的设置。



注：“A/B点设置”：在跟焦或变焦设置到“FREE”界面时，此时应当转动滚轮至起点（A点）后双击：“▲”来确定起点。然后转动滚轮至终点（B点）后双击：“▲”来确定终点。操作完成后若双击“▲”为重新设置，双击“▼”为返回上一级菜单。

注：“自动CAL功能”：在装有能够正常通讯的原力系列的马达，进入菜单界面选择“自动CAL”功能，才可实现此项功能。

注：“手自动CAL功能”：在装有能够正常通讯的原力系列的马达，进入菜单界面选择“手动CAL”功能。双击“▲”进入跟焦/变焦的起点界面后需要转动滚轮至起点，再次双击“▲”进入终点界面时需要转动滚轮至终点，才可实现此项功能。

DISCLAIMERS AND WARNINGS



Thank you for purchasing a TILTA product. What is mentioned in this article is related to your safety, legal rights and liabilities. Before using this product, please read this article carefully to ensure a proper configuration. Failure to follow the instructions or any disregard for the warnings may cause harm to you and other people, and may cause damage to this product and surrounding objects. TILTA owns the right to final interpretation of this document and all other collateral documents. Updates on information are subject to change without prior notice. For up-to-date product information, please visit the official website, www.tilta.com.

By using this product, you hereby signify that you have read this disclaimer and warning carefully and that you understand, agree to, and accept the terms and conditions herein. You agree that you are solely responsible for your own conduct while using this product and for any consequence thereof. You agree to use this product only for proper purposes and abide by all the terms, policies and guidelines TILTA has made and may make.

TILTA accepts no liability for damage, injury or any legal responsibility incurred directly or indirectly from the use of this product. The user shall observe safe practices including, but not limited to, those set forth in this document.

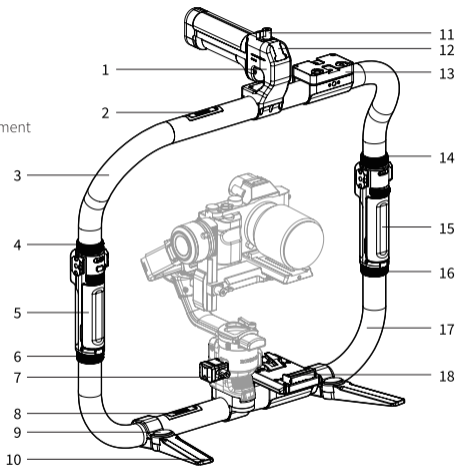
Despite the terms mentioned above, consumers' rights and interests are still protected by local laws and regulations, and are not affected by this disclaimer.

TILTA is a trademark of Shenzhen TILTA Technology Co., Ltd. and its affiliated companies. Product names and brands in this document are trademarks or registered trademarks of its affiliates.

LAYOUT

ADVANCED RING GRIP

- 1. Power Supply Handle Attachment
- 2. Power Port - Top
- 3. Ring Grip - Top Arm
- 4. Tie Down Ring
- 5. Remote Control Handle Receiver Module
- 6. Tie Down Ring
- 7. Wireless Control
- 8. Power Port - Bottom
- 9. Foot Release
- 10. Foot

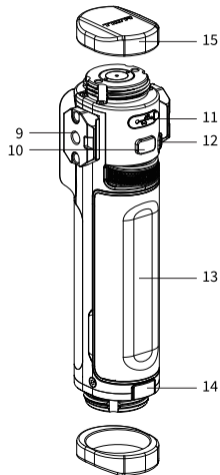
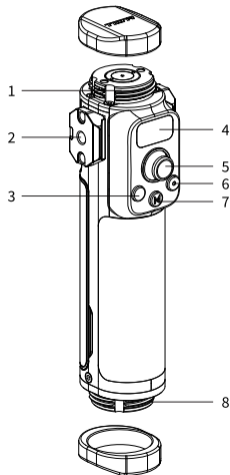


- 11. Tie Down
- 12. Cold Shoe
- 13. Power Supply Module (Optional)
- 14. Tie Down Ring
- 15. Dual Channel Wireless Lens Control Handle
- 16. Tie Down Ring
- 17. Ring Grip - Bottom
- 18. V-mount Battery Plate (Optional)

REMOTE CONTROL HANDLE

»»»

1. Top Screw
2. NATO Connector
3. Trigger
4. Display
5. Joystick
6. Camera Control
7. M Key
8. Bottom Screw

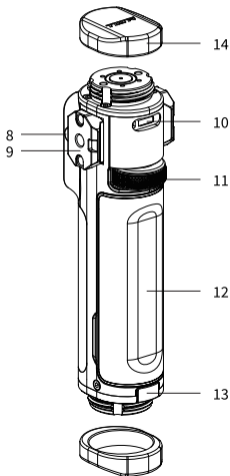
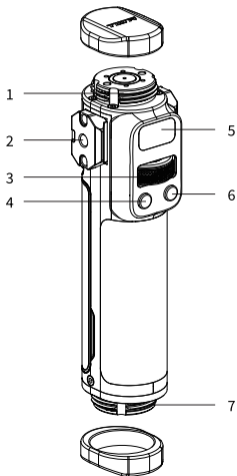


9. NATO Connector
10. Menu
11. USB-C Port
12. Focus Control Switch
13. Battery Chamber Cover
14. Battery Release
15. Protective Cover

DUAL CHANNEL WIRELESS LENS CONTROL HANDLE

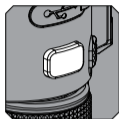
»»»

1. Top Screw
2. NATO Connector
3. Follow Focus Wheel
4. Up Key
5. Display
6. Down Key
7. Bottom Screw



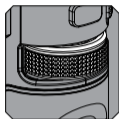
8. Power Button
9. NATO Connector
10. USB-C Port
11. Follow Focus Wheel
12. Battery Chamber Cover
13. Battery Release
14. Protective Cover

REMOTE CONTROL HANDLE FUNCTION KEYS



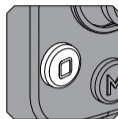
MENU

3 seconds hold: Power on
Single click: Switch interface
Double click: Gimbal sleep mode
Double click again: Wake up the gimbal
Hold: Menu settings



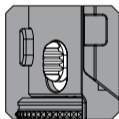
FOLLOW FOCUS WHEEL *

Control focus on a Nucleus series lens control motor or the DJI lens motor.



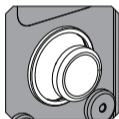
TRIGGER

Single click: Start smart following (wireless video system not activated)
Double click: Reset gimbal
Triple click: Selfie mode
Hold: Lock mode



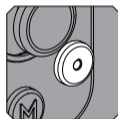
FOCUS CONTROL SWITCH

Up: Control Dji follow focus motor
Down: Control Nucleus follow focus motor



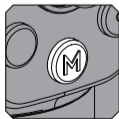
JOYSTICK

Up & down: Control tilt (default setting)
Left & right: Control pan (default setting)



CAMERA CONTROL *

Half way hold: Auto focus control
Quick click: Start/stop recording
Long hold: Take photos



M KEY

Single click: Switch gimbal settings.
Long hold: Sports mode. Holding while double-clicking the trigger will lock the sports mode (no need to hold too long). Repeat the same action to exit the sports mode.
Double click: Vertical mode. Double click again to exit the vertical mode.
Triple click: 360 mode. Repeat triple click to exit 360 mode. Under 360 mode, pressing the joy stick twice either left or right will make the camera spin automatically. Double click trigger to stop this action.

* R/S cable is required to use the Camera Control Key and Follow Focus Wheel. Please check your own camera's settings to operate accordingly.

DUAL CHANNEL WIRELESS LENS CONTROL HANDLE



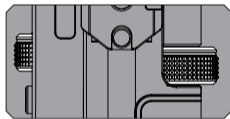
UP KEY

Single click: Check location info
Single click again: Exit
Double click: Channel +1
Hold: Enter main menu



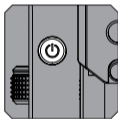
DOWN KEY

Single click: A-B marks
Double click: Channel -1
Hold: Enter AB marks setting and CAL setting.
Three click: Exit all A-B marks settings



FRONT & BACK FOCUS WHEELS

Assigning the wheels to Nucleus series lens control motors will allow you to control focus, zoom, and iris. (NOTE: This handle is only compatible with Tilta Nucleus series lens motors.)

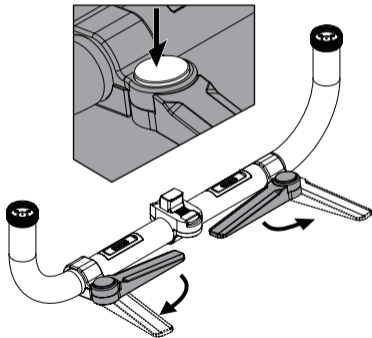


POWER BUTTON

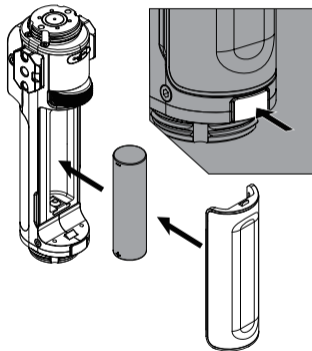
3 seconds hold: Power on & off.
Single click: Record and STBY
Double click: Switch between MASTER & SLAVE modes.

ASSEMBLY

1. Press down the foot release buttons and turn the feet outwards.

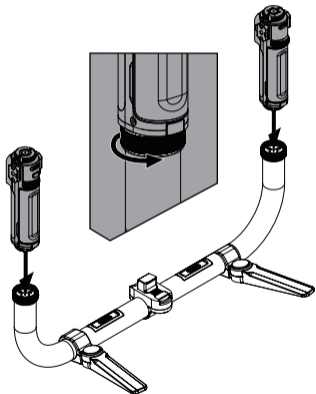


2. Press the battery release and open the battery chamber cover. Insert the 18650 battery and cover the battery chamber.



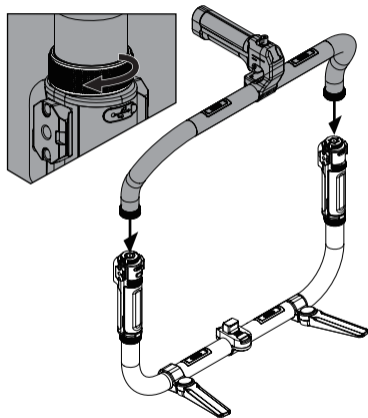
Note: The battery is an optional accessory.
Used with the ring grip, no battery is required.
When the handle is used alone, you need to install 18650 battery.

3. Align the contact points and screw on the two bottom arms of the ring grip. To tighten, rotate counter-clockwise.



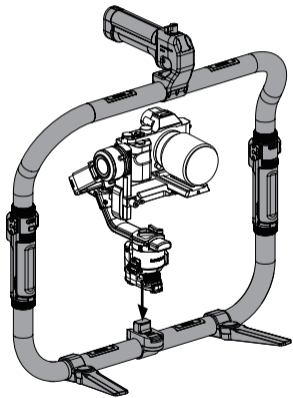
Note: There are directional requirements for handle mounting.

5. Attach the top arm to the two handles. To tighten, rotate clockwise.

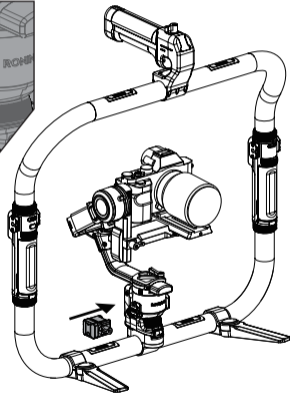
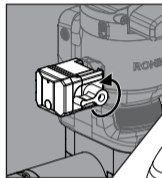


Note: The installation direction can be adjusted.

6. Attach DJI RS 2 to the ring grip.

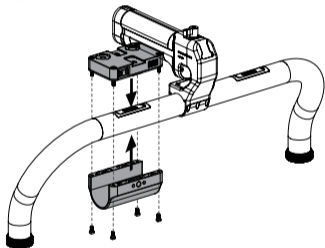


7. Attach the wireless control receiver module to the NATO rail on the right side of DJI RS 2. Tighten the tie down.



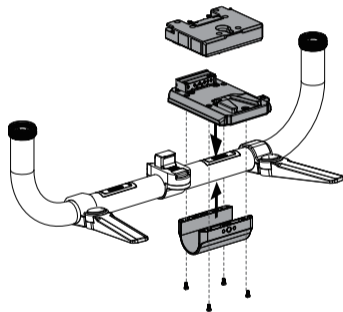
8. Attach the power supply module to the power port on the top arm. Tighten with the screws.

The built-in cold shoe, 1/4" 20, and 3/8" 16 screw points are compatible with monitor mount, phone mount, etc. The P-tap power port and USB port can power on-board monitor and phone. (Optional)



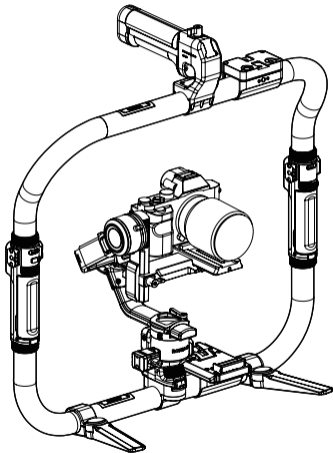
Note: Please install the accessories according to your shooting needs.

9. V-mount or gold mount battery plate can be installed to power port on the bottom arm. Tighten with the screws. Used to supply uninterrupted electric power. (Optional)



Note: This is compatible with both power ports on the top and bottom arms.

10. The setup is complete.



PAIRING THE REMOTE CONTROL HANDLE

1. Press M key and Record key at the same time to enter auto search mode. Double click the power button on wireless control receiver module. The indicator light will blink red. Once the remote control handle is connected, the indicator on the receiver module will turn green. Once pairing is done, you will be able to control the gimbal wirelessly. The maximum wireless control range is 80m.

Dual Channel Wireless Control Handle Instructions:

The Dual Channel Wireless Control Handle is compatible with the Tilta Nucleus-Nano and Nucleus-M wireless lens control systems. Match the wireless channels and motor numbers on both the handle and the wireless lens control systems motors to allow for focus, iris, and/or zoom controls. Single click “▲” to check the information on the lens control motor.

Pairing:

1. To match the frequency, double click “▲” and “▼” to match the wireless channels on the handle and the lens control motor.
2. EZ mode pairing. Hold “▼” on the handle at the same time to enter “search” mode; Hold “▲” and “▼” on Nucleus-M to enter EZ mode and wait for the handle to match the frequency. The number of the lens control motors will appear after the handle matches the frequency with Nucleus-M. Press confirm to complete EZ mode pairing.

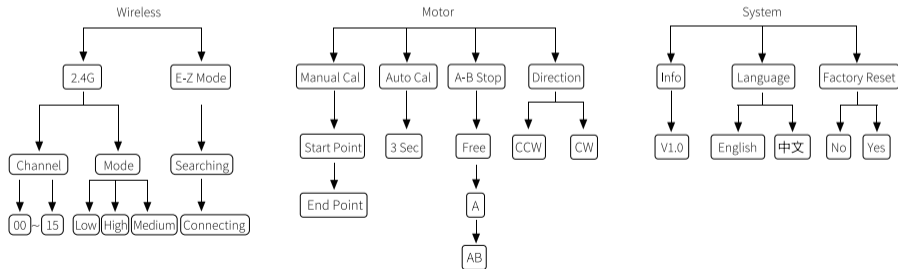
REMOTE CONTROL HANDLE MENU SETTINGS

Long Hold Menu Key: Power on

Single Click Menu Key: Back to the main menu

Double Click Menu Key: Gimbal sleep mode

Triple Click Menu Key: Enter Menu Settings (To confirm, press M key. To return to the previous menu, press Camera Control key. To move up and down, push the joystick up and down. To quickly select, hold the joystick for 3 seconds.



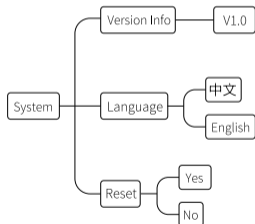
DUAL CHANNEL WIRELESS LENS CONTROL HANDLE MENU SETTINGS

Single click “▲” to go up. Single click “▼” to go down.

Double click “▲” to confirm. Double click to return. Hold 3 seconds for quick selection.

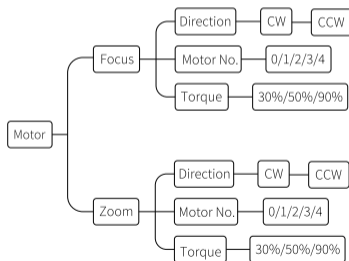
SYSTEM SETTINGS:

Hold “▲” to enter “Menu”. Single click “▲” to select system settings.



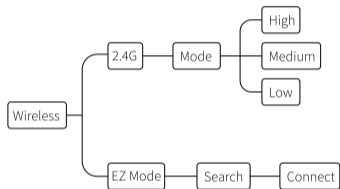
MOTOR SETTINGS:

Hold “▲” to enter “Menu”. Single click “▲” to select motor setting.



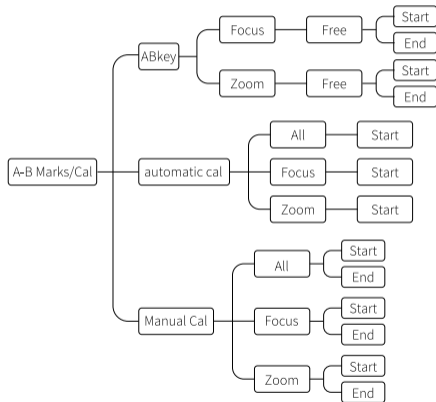
WIRELESS CONNECTION SETTINGS:

Hold "▲" to enter "Menu". Single click "▲" to select wireless settings.



A-B MARKS AND CAL SETTINGS:

Hold "▼" to enter "Menu". Single click "▲" to select A-B marks and CAL settings.



A-B Marks: When focus or zoom is set to “FREE” , rotate the wheel to the starting point (A) then double click “▲” to confirm. Next, rotate the wheel to the ending point (B) then double click “▲” to confirm. After the marks are set, double click “▲” to start over; double click “▼” to return the previous menu.

Auto CAL: To activate this function, install a Nucleus series lens control motor, then enter “Menu” and select “Auto CAL”.

Manual CAL: Install a Nucleus series lens control motor, then enter “Menu” and select “Manual CAL” . Double click “▲” to enter focus/zoom starting point interface, then rotate the wheel to the starting point. Double click “▲” again to enter the ending point interface, then rotate the wheel to the ending point.

TILTA

版权由深圳铁头科技有限公司所有

需授权方可转载

本公司有权在不提前通知的情况下修改产品参数

产品尺寸仅供参考，以实物为准

TILTA 是深圳铁头科技有限公司的注册商标

官方网站: tilta.com.cn www.tilta.com

地址: 深圳市光明新区光侨路转7号路 侨德高新科技园B栋2楼

全国服务热线: 4006 1998 67

All copyrights belong to Tilta Technology Co. Ltd.

Written permission is needed for any reproductions.

Tilta has the right to adjust product specification without notice.

All measurements are for reference only. Please see the actual products for more details.

TILTA is a registered trademark owned by Tilta Technology Co., Ltd.

Website: www.tilta.com

US Address: 2801 W Magnolia Blvd, Burbank, CA 91505

US Contact Number: +1(818)651-4991



关注微信公众号



扫码进入官网